



# BLUELIFT

PIATTAFORME AEREE

**C14/6.5**  
**120kg**



TRUCKED AERIAL WORK PLATFORM

NECELLE ÉLÉVATRICE CHENILLÉE

RAUPEN-ARBEITSBÜHNE

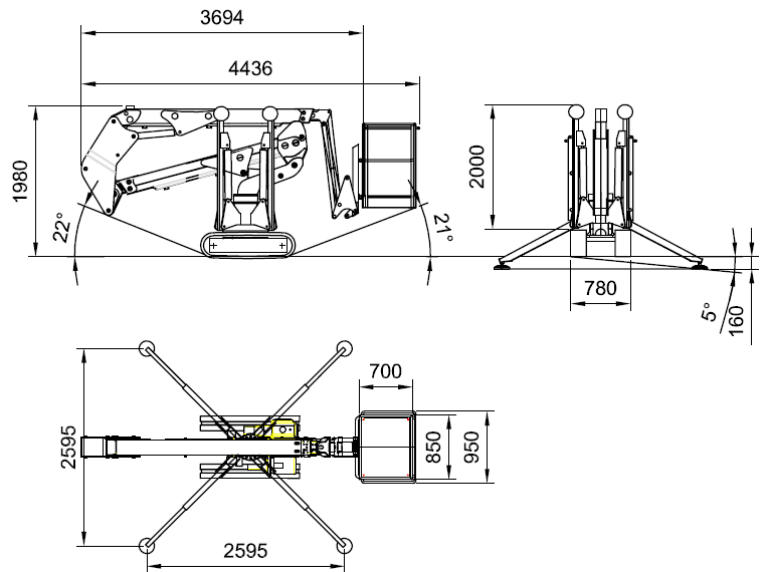
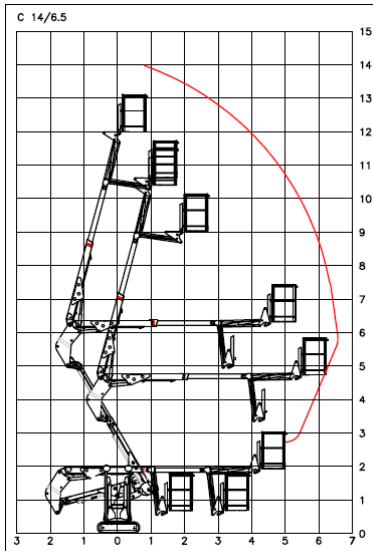
PLATAFORMA DE DRUGA PARA LO TRABAJO EN ALTURA

PIATTAFORMA AEREA CINGOLATA  
BLUEARIA

Ringeriksveien  
516  
N-3538  
Sollihøgda

Tel.  
0047 47 858500  
Fax.  
0047 67 138176

Website  
[www.ajmaskin.no](http://www.ajmaskin.no)



*Ringeriksveien  
516  
N-3538  
Sollihøgda*

*Tel.  
0047 47 858500  
Fax.  
0047 67 138176*

Website  
[www.ajmaskin.no](http://www.ajmaskin.no)

## SPECIFICATIONS C14/6.5

PLATFORM	removable, aluminium, dim.850x700xh1100
PLATFORM LEVELLING	hidraulic with closed circuit
BOOM	2 section telescopic, all steel
BOOM ANGLE	0°/ +75°
PANTOGRAPH	2 section telescopic, all steel
PANTOGRAPH ANGLE	-15° /+ 60°
SLEWING TURRET	>320° not continuous
CONTROLS	proportional controls
OIL TANK CAPACITY	30L
DOUBLE PUMP	4L+4L
CIRCUIT PRESSURE	180bar
MAXIMUM GRADIENT	28%
MAX WIND SPEED	12,5 m/sec
ELECTRIC SYSTEM VOLTAGE	12V
MAX MANUAL FORCE	20 daN
CONTROL SPEED	0,4 m/sec
LOAD CAPACITY	120 kg
NO. OPERATORS	1
MAX WORKING HEIGHT	14m
MAX WORKING OUTREACH	6,5m
MACHINE WEIGHT	1630kg
TRACTION	tracked
MAX TRASLATION SPEED	1,5km/h
ENGINE	single-cylinder noiseless Honda
OUTRIGGERS	collapsible , hidraulic descent

## STANDARD SAFETY EQUIPMENTS

Priority of platform controls  
 Locks for the safety belts on the platform  
 Emergency push-button with engine stop  
 Hand pump for the emergency descent of the platform  
 Automatic opening of the brake when the rotation begins  
 Aerial structure locking till the stabilisation is complete  
 A Protection with pressure relief valve on the hydraulic system  
 Overcentre lock valves on all the cylinders  
 Translation intermittent sound alarm  
 Automatic opening of the brake when traslation begins  
 Complete stabilisation waming lights  
 Hour-meter  
 Electro-hydraulic trasmission  
 On-Plarform load limiting device  
 220 V Supply with plug on the platform with earth leakage circuit breaker  
 Electric-pump 3,8l – 220 V  
 Gearcase protection cap  
 Produced according to EN 280 norm and international safety regulations  
 Use and maintenance handbook