

(22)
 Højre-Venstre
 Right-Left
 Recht-Links

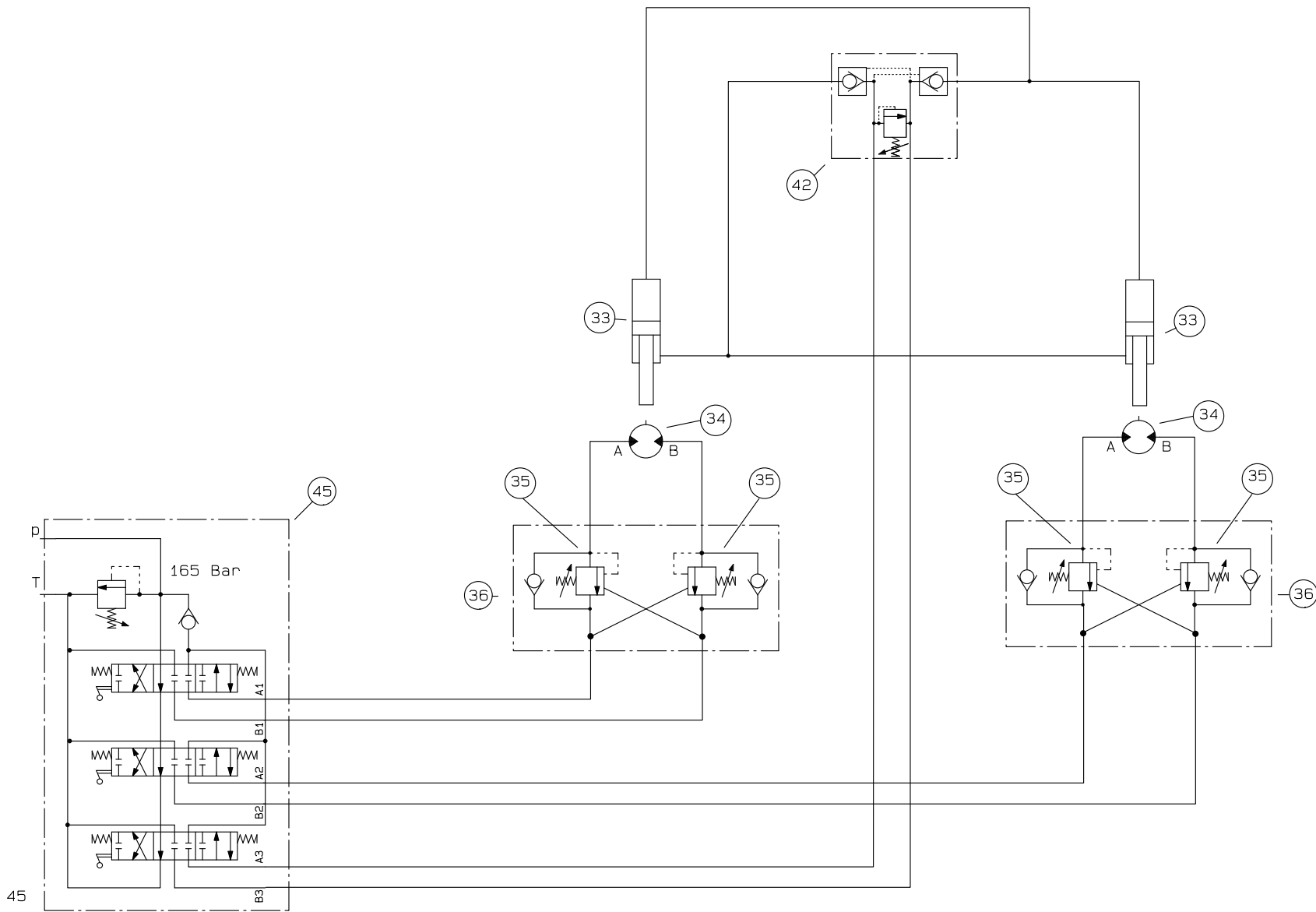
(22)
 Op-Ned
 Up-Down
 Auf-Ab

(22)
 Ud-Ind
 Out-In
 Aus-Ein

(23)
 Jip-Arm
 Jib
 Korbarm

(23)
 Kurv-opretning
 Leveling basket
 Horizontierung korb

DENKA LIFT Højvang 5 4300 Holbæk Tele : + 45 59 45 55 00 Fax : + 45 59 45 55 02 WWW.DENKA.DK	Lift type: DLX15	Lift No: 12542	Hydraulic: DLX15	Rev: 02-06-05
	Extra equipment:	Date: 02-06-05	Drawn by: CTJ	Approved by: PH
				Page: 1 of 8



DENKA LIFT
 Højvang 5 4300 Holbæk
 Tele : + 45 59 45 55 00
 Fax : + 45 59 45 55 02
 WWW.DENKA.DK

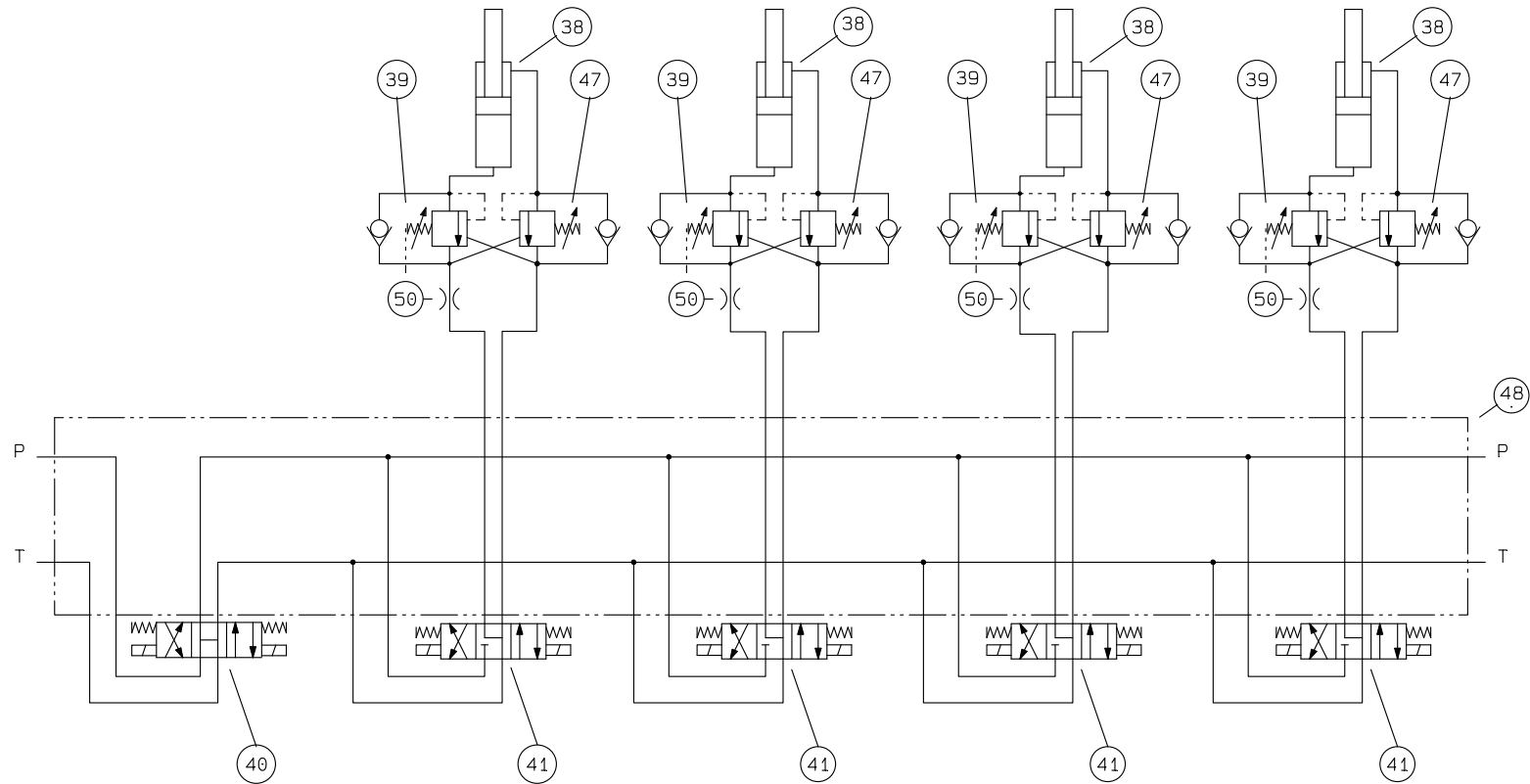
Lift type: DLX15
 Extra equipment:
 Date: 02-06-05

Lift No: 12542
 Drawn by: CTJ

Hydraulic: DLX15
 Approved by: PH

Rev: 02-06-05
 Page: 2 of 8

ELEKTRISK / HYDRAULISK STØTTEBEN
 ELECTRIC / HYDRAULIC OUTRIGGER
 ELEKTRIK / HYDRAULIK STÜTZBEIN



DENKA LIFT
 Højvang 5 4300 Holbæk
 Tele : + 45 59 45 55 00
 Fax : + 45 59 45 55 02
 WWW.DENKA.DK

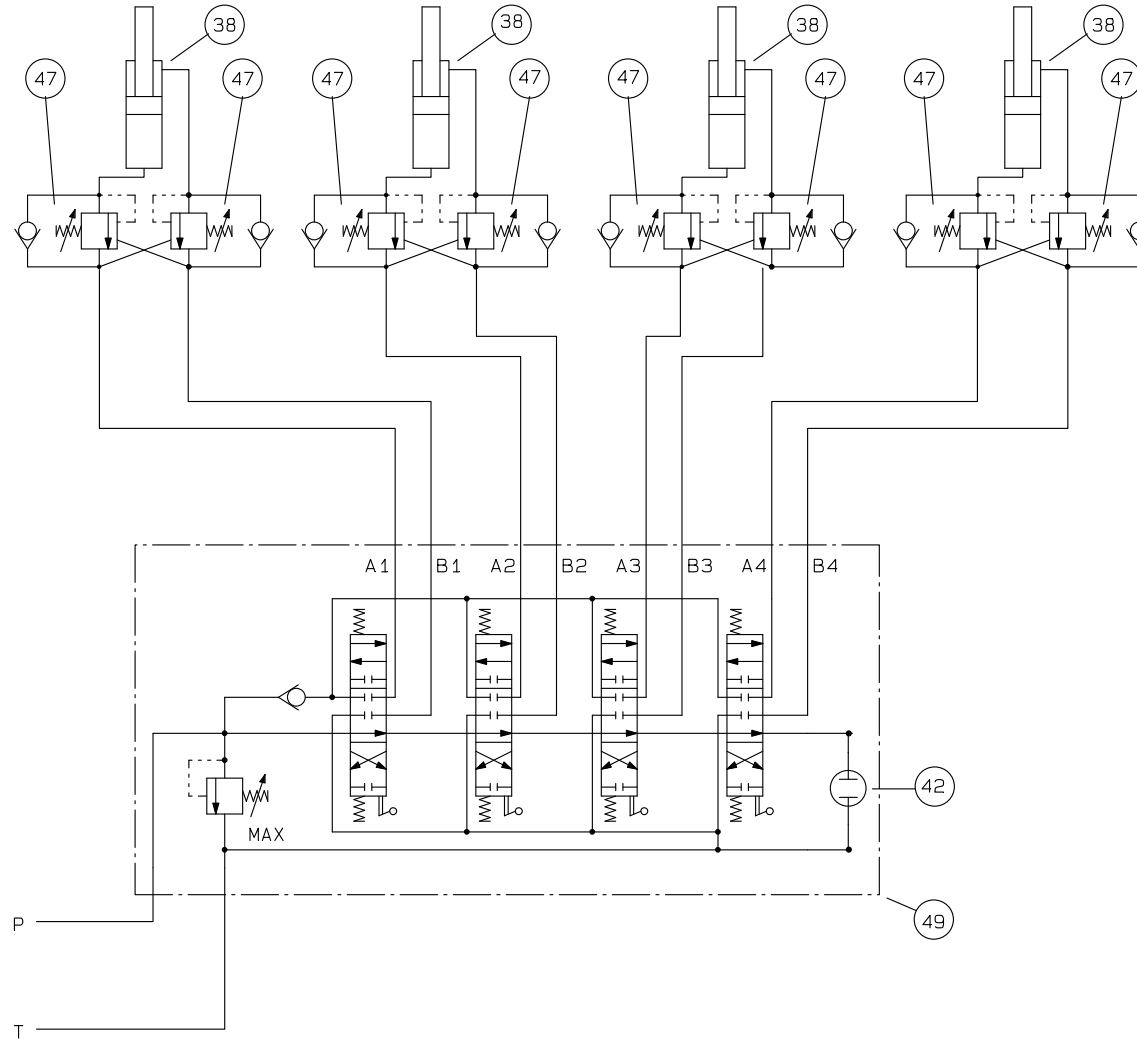
Lift type: DLX15
 Extra equipment:
 Date: 02-06-05

Lift No: 12542
 Drawn by: CTJ

Hydraulic: DLX15
 Approved by: PH

Rev: 02-06-05
 Page: 3 of 8

MANUEL / HYDRAULISK STØTTEBEN
 MANUEL / HYDRAULIC OUTRIGGER
 MANUEL / HYDRAULIK STÜTZBEIN



DENKA LIFT
 Højvang 5 4300 Holbæk
 Tele : + 45 59 45 55 00
 Fax : + 45 59 45 55 02
 WWW.DENKA.DK

Lift type: DLX15
 Extra equipment:
 Date: 02-06-05

Lift No: 12542
 Drawn by: CTJ

Hydraulic: DLX15
 Approved by: PH

Rev: 02-06-05
 Page: 4 of 8

Stykliste

Partlist

Stückliste

Pos.	Benevnelse Designation Benennung	Vare nr. Article. Teil nr.
	Kontraventil for pumpe s.409 Check valve for pump s.409 R=rckschlagventil f=r pumpe s.409	10040911
1	Orbitmotor White RS164cc Ø25mm Orbitmotor White RS164cc Ø25mm Orbitmotor White RS164cc Ø25mm	03350050
2	DLX15 TIP-cylinder DLX15 Tilt-cylinder DLX15 Hub-cylinder	03246319
3	Overcenterventil 1CE30-N-35-S5 Over-centre valve 1CE30-N-35-S5 Senkbremsventil 1CE30-N-35-S5	03250126
4	Overcenterventil 1CE30-N-35-S5 Over-centre valve 1CE30-N-35-S5 Senkbremsventil 1CE30-N-35-S5	03250126
5	DLX15 Bomcylinder DLX15 Boomcylinder DLX15 Auslegercylinder	03245366
6	Dyse NG 06 0,6 mm Nozzle NG 06 0,6 mm Düse NG 06 0,6 mm	03220076
7	DLX15 JIB-cylinder DLX15 JIB-cylinder DLX15 JIB-cylinder	03245167
8	Overcenterventil 1CE30-N-35-S5 Over-centre valve 1CE30-N-35-S5 Senkbremsventil 1CE30-N-35-S5	03250126
9	DLX15 Horisonterings cylinder DLX15 Lev. cylinder DLX15 Ausgl. cylinder	03245306
10	Overcenterventil 1CE30-N-35-S5 Over-centre valve 1CE30-N-35-S5 Senkbremsventil 1CE30-N-35-S5	03250126
11	Hydraulisk drejeled Hydraulic joint Hydraulischer drehglied	03460103
12	Overtryksventil AC091VS202F Pressure valve AC091VS202F Druckregelventil AC091VS202F	03250131
13	Overtryksventil AC091VS202F Pressure valve AC091VS202F Druckregelventil AC091VS202F	03250131
14	Overtryksventil AC091VS202F Pressure valve AC091VS202F Druckregelventil AC091VS202F	03250131
15	Overtryksventil AC091VS202F Pressure valve AC091VS202F Druckregelventil AC091VS202F	03250131
DENKA LIFT A/S Højvang 5, 4300 HØLBEK Tel. +45 59 45 55 00 Fax +45 59 45 55 02 WWW.DENKA.DK		Lift type:HYD DL15 Lift no:12542 Extra equipment : Date :02-06-05 Side: 5 af 8

Stykliste

Partlist

Stückliste

Pos.	Benevnelse Designation Benennung	Vare nr. Article. Teil nr.
16	Overtryksventil AC091VS202F Pressure valve AC091VS202F Druckregelventil AC091VS202F	03250131
17	NC ventilpatron NC Valve cartridge NC ventilpatron	03220080
18	24 Vdc spole 6306024 24 Vdc coil 6306024 24 Vdc spule 6306024	03240099
19	Overtryksventil AC091VS202F Pressure valve AC091VS202F Druckregelventil AC091VS202F	03250131
20	Overtryksventil AC091VS302F Pressureventil AC091VS302F Druckregelventil AC091VS302F	03220082
21	No ventilpatron No Valve cartridge No ventilpatron	03220077
22	Magnetventil NG 06 Solenoid valve NG 06 Magnetventil NG 06	03240096
23	Magnetventil NG 06 Solenoid valve NG 06 Magnetventil NG 06	03240098
24	Vekselventil SELN18V Shuttle valve SELN18V Wechselventil SELN18V	03220083
25	Håndbetjent 3/3 ventil Hand-operated 3/3 valve Hand-operated 3/3 ventil	03220078
26	Håndpumpe, IS 7 Handpump, IS 7 Handpumpe, IS 7	40602800
27	Motor 2,2KW/1410b3/b5 Motor 2,2KW/1410b3/b5 Motor 2,2KW/1410b3/b5	03300093
28	Kontraventil for pumpe s.409 Check valve for pump s.409 R=ckschlagventil f=r pumpe s.409	10040911
29	DLX 15 Hovedventilblok DLX 15 Mainblock DLX 15 Ventilblock	03220074
30	Gearpumpe double 4,97 + 1,9 Occ Gearpumpe double 4,97 + 1,9 Occ Gearpumpe double 4,97 + 1,9 Occ	03370527
31	FACA80/3 Sugefilter FACA80/3 Suction filter FACA80/3 Saugsieb	03270073

DENKA LIFT A/S
Højvang 5, 4300 HØLBEK
Tel. +45 59 45 55 00
Fax +45 59 45 55 02
WWW.DENKA.DK

Lift type:HYD DL15

Lift no:12542

Extra equipment :

Date :02-06-05

Side: 6 af 8

Stykliste

Partlist

Stückliste

Pos.	Benevnelse Designation Benennung	Vare nr. Article. Teil nr.
32	FRCA80/1 Returfilter FRCA80/1 Returnfilter FRCA80/1 Rücklauffilter filter	03270066
33	Drivrullecylinder 32/20-100 Drive pulley cylinder 32/20-100 Antriebrollezyylinder 32/20-100	40042711
34	White orbitmotor 232 CE 14 White orbitmotor 232 CE 14 White orbitmotor 232 CE 14	03350023
35	Vekselventil, WVS 12 L Shuttle valve, WVS 12 L Wechselventil, WVS 12 L	03250065
36	Ventilhus, 4vejs Alu 3/8" (4C), 14G-1C-06/4 Valve block, 4way Alu 3/8" (4C), 14G-1C-06/4 Ventilhaus, 4weg Alu 3/8" (4C), 14G-1C-06/4	03220047
37	Overtryksventil CR08-38A-0-N-10 Pressureventil CR08-38A-0-N-10 Druckregelventil CR08-38A-0-N-10	03250132
38	DLX15 Bencylinder DLX15 Outriggercylinder DLX15 Stützbeinzyylinder	03244940
39	Overcenterventil 1CEB30F35S5 Over-centre valve 1CEB30F35S5 Senkbremsventil 1CEB30F35S5	03250133
40	Magnetventil NG 06 Solenoid valve NG 06 Magnetventil NG 06	03240098
41	Magnetventil NG 06 Solenoid valve NG 06 Magnetventil NG 06	03240096
42	Dobbelt låseventil 1/4 VM 150 Dobbelt lockvalve 1/4 VM 150 Doppel verschliessen ventil 1/4 VM 150	03250096
42	Carry over Carry over Carry over	10063610
43	Manometer 250bar Oil gauge 250bar Manometer 250bar	03270043
44	Tryk kompensator EC10-43 Pressure compensator EC10-43 Druck kompensator EC10-43	03220081
45	Manipulator f/selvkøring Manipulator valve Manipulatorventil	03220075
46	24 Vdc spole 6356024 24 Vdc coil 6356024 24 Vdc spule 6356024	03240104
DENKA LIFT A/S Højvang 5, 4300 HØLBEK Tel. +45 59 45 55 00 Fax +45 59 45 55 02 WWW.DENKA.DK		Lift type:HYD DL15 Lift no:12542 Extra equipment : Date :02-06-05 Side: 7 af 8

