

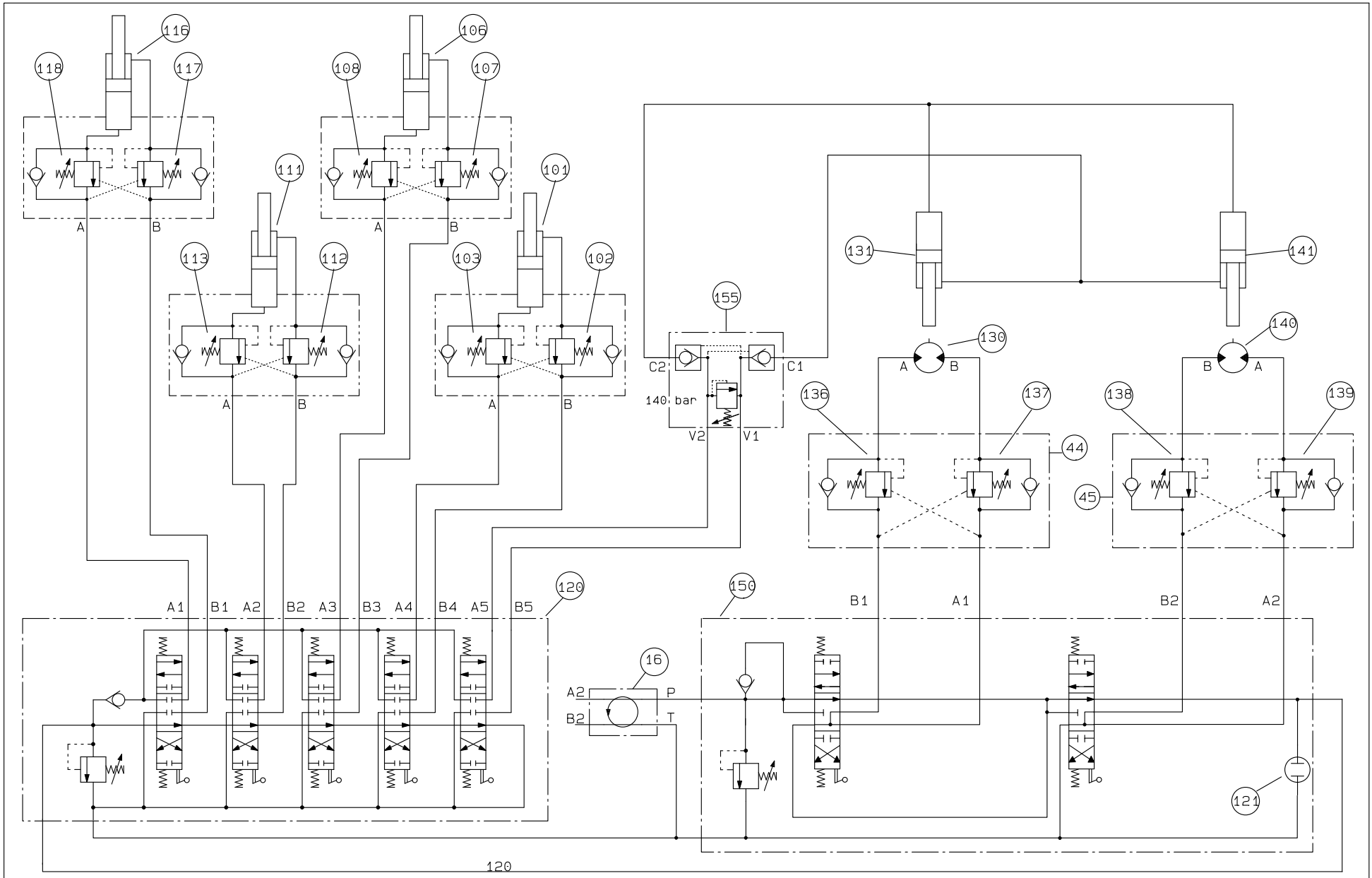
DENKA LIFT
 Højvang 5 4300 Holbæk
 Tele : + 45 59 45 55 00
 Fax : + 45 59 45 55 02
 E-mail : Technical @ denka . dk

Lift type: DL28 - DL30
 Extra equipment: Diesel
 Date: 30-11-05

Lift No: 12766
 Drawn by: CTJ

Hydraulic: DT-Prop.
 Approved by: CTJ

Rev: 04-10-05
 Page: 1 of 9



DENKA LIFT
 Højvang 5 4300 Holbæk
 Tele : + 45 59 45 55 00
 Fax : + 45 59 45 55 02
 E-mail : Technical @ denka. dk

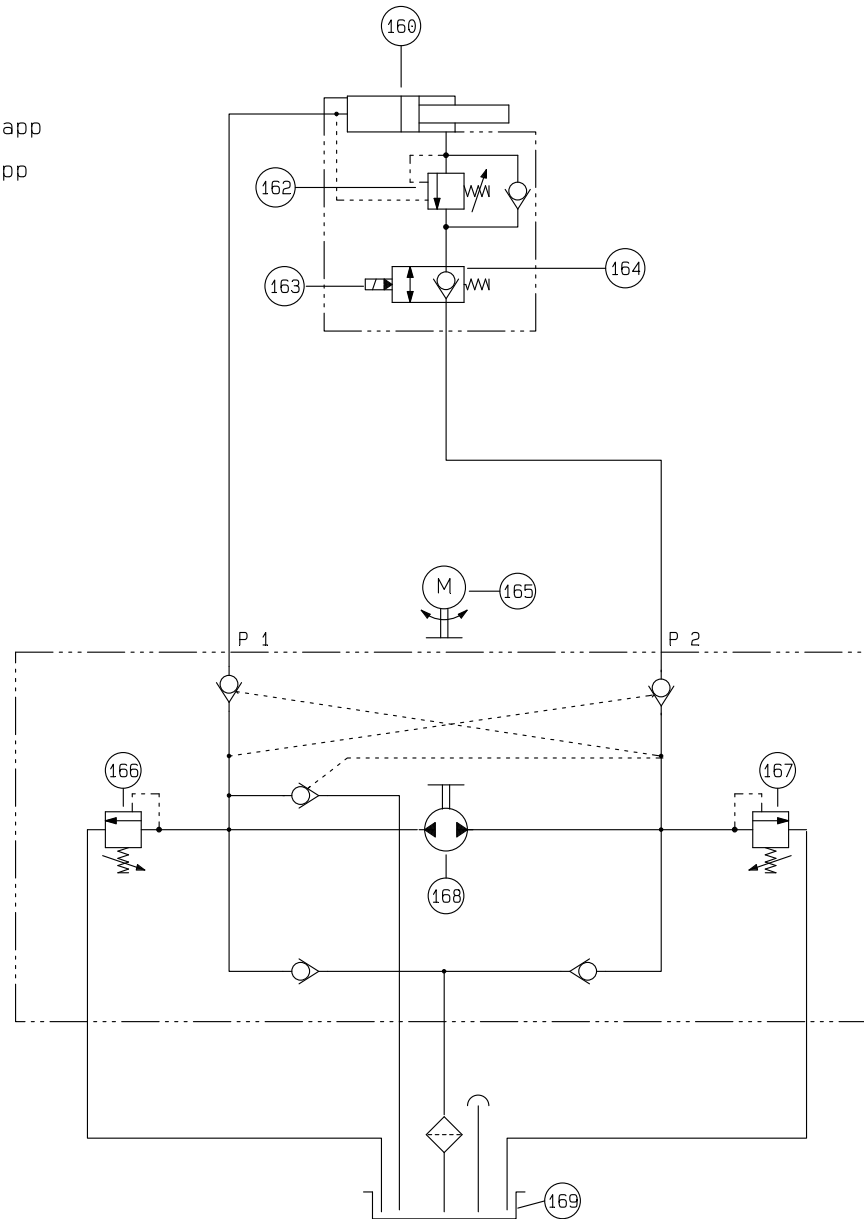
Lift type: DL28 - DL30
 Extra equipment: Diesel
 Date: 30-11-05

Lift No: 12766
 Drawn by: CTJ

Hydraulic: DT-Prop.
 Approved by: CTJ

Rev: 04-10-05
 Page: 2 of 9

Horisonteringsanlæg 24vHydr-app
 Levelling device 24vHydr-app
 Ausgleichsaggregat 24vHydr-app



DENKA LIFT
 Højvang 5 4300 Holbæk
 Tele : + 45 59 45 55 00
 Fax : + 45 59 45 55 02
 E-mail : Technical @ denka. dk

Lift type: DL28 - DL30
 Extra equipment: Diesel
 Date: 30-11-05

Lift No: 12766
 Drawn by: CTJ

Hydraulic: DT-Prop.
 Approved by: CTJ

Rev: 04-10-05
 Page: 3 of 9

Stykliste

Partlist

Stückliste

Pos.	Benevnelse Designation Benennung	Vare nr. Article. Teil nr.
1	El.motor, 48V Motor, 48V El.motor, 48V	03300092
2	Pumpe, JBS 6ccm Pumpe, JBS 6ccm Pumpe, JBS 6ccm	03290071
3	Hovedventilblok DL25/28/30 Main Valve block DL25/28/30 Hauptventilblock DL25/28/30	03220049
4	Returfilter, FIO-20/1 kpl. Return filter, compl. FIO-20/1 R=cklauffilter, kpl. FIO-20/1	03270005
5	Sugefilter, 1319 Suction strainer, 1319 Saugsieb, 1319	03270007
6	Udluftningsfilter, plast TMDF 12 Breather, plastic TMDF 12 Entl=ftungsfilter, plast TMDF 12	03270022
7	Håndpumpe IS 7 Manual pump IS 7 Handpumpe IS 7	03290011
8	Kontraventil, E-RD12L Check valve, E-RD12L R=ckschlagventil, E-RD12L	03210136
9	Overtryksventil AC091VS202F Pressure valve AC091VS202F Rückschlagventil AC091VS202F	03250101
10	Skueglas Sight glass Schauglass	03270015
11	Overtryksventil AC091VS202F Pressure valve AC091VS202F Rückschlagventil AC091VS202F	03250101
12	Overtryksventil AC091VS302F Pressure valve AC091VS302F Rückschlkgventil AC091VS302F	03250100
13	Ventil EV 40 NC u/spole Valve EV 40 NC excl coil Ventil EV 40 NC ohne spule	03250118
14	Magnetspole 24VDC Coil 24VDC Spule 24VDC	03240069
15	Dobb.chock ventil Var 35-md-01fe Dobb.chock valve Var 35-md-01fe Dobb.chock ventil Var 35-md-01fe	03170016
16	Hydraulisk/El drejegenemføring, A564-8 Hydraulic/El swivel joint, A564-8 Hydraulisch/El drehdurchf=rung, A564-8	03460100

DENKA LIFT A/S
Højvang 5, 4300 HØLBEK
Tel. +45 59 45 55 00
Fax +45 59 45 55 02
WWW.DENKA.DK

Lift type:DL28 - DL30

Lift no:12766

Extra equipment :Diesel

Date :30-11-05

Side: 4 af 9

Stykliste

Partlist

Stückliste

Pos.	Benevnelse Designation Benennung	Vare nr. Article. Teil nr.
17	Skifteventil EUROFLUID Shuttle valve EUROFLUID Wechselventil EUROFLUID	03250102
18	Kontraventil Cartridge 3/8 Check valve 3/8 Rückschlagventil cartridge 3/8	03210139
19	Ventil Cartridge "NC" Valve cartridge "NC" Ventil cartridge "NC"	03250104
20	Magnetspole 24VDC Magneticcoil 24VDC Spule 24VDC	03240068
21	Skifteventil EUROFLUID Shuttle valve EUROFLUID Wechselventil EUROFLUID	03250102
22	Bronzefilter, SBF5 Bronze filter, SBF5 Bronzefilter, SBF5	03230005
23	Dyse m/unbrakohoved S, ø 0,20 Nozzle whit allenmain S, ø 0,20 D=se S, ø 0,20	03230054
24	Duplomatic prop. ventil MD1E-S121/51-24 Duplomatic prop valve MD1E-S121/51-24 Duplomatic prop. ventil MD1E-S121/51-24	03250106
25	Duplomatic prop. ventil MD1E-S93/51-24 Duplomatic prop. valve MD1E-S93/51-24 Duplomatic prop. ventil MD1E-S93/51-24	03250107
26	Filterelement, HP 065 1A 10NA Filter insert, HP 065 1A 10NA Filtereinsatz, HP 065 1A 10NA	03270041
27	Ventil Cartridge "NO" Ventil Cartridge "NO" Ventil Cartridge "NO"	03250103
28	Duplomatic prop. ventil MD1E-S93/51-24 Duplomatic prop. valve MD1E-S93/51-24 Duplomatic prop. ventil MD1E-S93/51-24	03250107
29	Diesel motor kpl 1D41C X1 Diesel motor kpl 1D41C X1 Diesel motor kpl 1D41C X1	13823101
31	Pumpe 4,6 cm3 f. 1D41C Pump 4,6 cm3 f. 1D41C Pumpe 4,6 cm3 f. 1D41C	03370525
32	Filterelement, CR30/1 Filter insert, CR30/1 Filtereinsatz, CR30/1	03270006
33	Trykfilter, 30 Lpm 1/2" A10 my Pressurefilter, 30 Lpm 1/2" A10 my Dr=ckfilter, 30 Lpm 1/2" A10 my	03270040
DENKA LIFT A/S Højvang 5, 4300 HOLBÆK Tel. +45 59 45 55 00 Fax. +45 59 45 55 02 e-mail: Technical @ denka. dk		Lift type:HYD DL28-DL30 Lift no:12766 Extra equipment :Diesel Date :30-11-05 Side: 5 af 9

Stykliste

Partlist

Stückliste

Pos.	Benevnelse Designation Benennung	Vare nr. Article. Teil nr.
34	Manometer, G 63-250 Oil gauge, G 63-250 Manometer, G 63-250	03270042
36	Kontraventil Cartridge 1/4 0,4 Check valve 1/4 0,4 Rückschlagventil 1/4 0,4	03210141
37	Magnetspole 24VDC Magneticcoil 24VDC Spule 24VDC	03240068
38	Kontraventil, E-RD12L Check valve, E-RD12L R=ckschlagventil, E-RD12L	03210136
39	Kontraventil Cartridge 1/4 Check valve Rückschlagventil	03210140
40	Kontraventil Cartridge 1/4 Check valve Rückschlagventil	03210140
41	Kontraventil Cartridge 1/4 Check valve Rückschlagventil	03210140
42	Kontraventil Cartridge 1/4 Check valve Rückschlagventil	03210140
43	Kontraventil Cartridge 1/4 Check valve Rückschlagventil	03210140
44	Ventilblok 1-0259A Valveblock 1-0259A Ventilblock 1-0259A	03220055
45	Ventilblok 1-0259A Valveblock 1-0259A Ventilblock 1-0259A	03220055
46	Trykkompensator Duplomatic Pressure compensator Duplomatic Druckkompensator Duplomatic	03270101
60	Bomcylinder, DL28, DA1S-85/70-4420-VK Boomcylinder, DL28, DA1S-85/70-4420-VK Auslegerzylinder, DL28, DA1S-85/70-4420-VK	40144011
61	Overcenterventil, CBCH-LDN Over-centre valve, CBCH-LDN Senkbremsventil, CBCH-LDN	03250023
62	Overcenterventil, CBCH-LDN Over-centre valve, CBCH-LDN Senkbremsventil, CBCH-LDN	03250023
70	Krøjegear MD111NS5, 77ML300GVAR slewinggear MD111NS5, 77ML300GVAR Drehgear MD111NS5, 77ML300GVAR	03170014

DENKA LIFT A/S

Højvang 5, 4300 HOLBÆK
Tel. +45 59 45 55 00
Fax. +45 59 45 55 02
e-mail: Technical @ denka. dk

Lift type:HYD DL28-DL30

Lift no:12766

Extra equipment :Diesel

Date :30-11-05

Side: 6 af 9

Stykliste

Partlist

Stückliste

Pos.	Benevnelse Designation Benennung	Vare nr. Article. Teil nr.
80	Tipcylinder, DL25 Tiltcylinder, DL25 Hubzylinder, DL25	10138711
81	Magnetvent. Lisk 24v f. tipcyl Solenoid valve Lisk 24v f. tip Magnetventil Lisk 24v f. hub.	10026711
82	Kontraventil, s.539 Check valve, s.539 R=ckschlagventil, s.539	10053911
101	Støttebenscylinder, DL25 Outriggerscylinder, DL25 St=tzbeinzylinder, DL25	40140011
102	Overcenterventil, CBCH-LCN Over-centre valve, CBCH-LCN Senkbremsventil, CBCH-LCN	03250024
103	Overcenterventil, CBCH-LCN Over-centre valve, CBCH-LCN Senkbremsventil, CBCH-LCN	03250024
106	Støttebenscylinder, DL25 Outriggerscylinder, DL25 St=tzbeinzylinder, DL25	40140011
107	Overcenterventil, CBCH-LCN Over-centre valve, CBCH-LCN Senkbremsventil, CBCH-LCN	03250024
108	Overcenterventil, CBCH-LCN Over-centre valve, CBCH-LCN Senkbremsventil, CBCH-LCN	03250024
111	Støttebenscylinder, DL25 Outriggerscylinder, DL25 St=tzbeinzylinder, DL25	40140011
112	Overcenterventil, CBCH-LCN Over-centre valve, CBCH-LCN Senkbremsventil, CBCH-LCN	03250024
113	Overcenterventil, CBCH-LCN Over-centre valve, CBCH-LCN Senkbremsventil, CBCH-LCN	03250024
116	Støttebenscylinder, DL25 Outriggerscylinder, DL25 St=tzbeinzylinder, DL25	40140011
117	Overcenterventil, CBCH-LCN Over-centre valve, CBCH-LCN Senkbremsventil, CBCH-LCN	03250024
118	Overcenterventil, CBCH-LCN Over-centre valve, CBCH-LCN Senkbremsventil, CBCH-LCN	03250024
120	Manøvreventil, SD5/5 Manoeuvering valve, SD5/5 Manøvrventil, SD5/5	03260024

DENKA LIFT A/S

Højvang 5, 4300 HOLBÆK
Tel. +45 59 45 55 00
Fax. +45 59 45 55 02
e-mail: Technical @ denka. dk

Lift type:HYD DL28-DL30

Lift no:12766

Extra equipment :Diesel

Date :30-11-05

Side: 7 af 9

Stykliste

Partlist

Stückliste

Pos.	Benevnelse Designation Benennung	Vare nr. Article. Teil nr.
121	Trykvidereføringspatron Carry over Carry over	03230077
130	White 465cc HeavyBearing White 465cc HeavyBearing White 465cc HeavyBearing	03350038
131	Drivrullecylinder 32/20-100 Drive pulley cylinder 32/20-100 Antriebrollezyylinder 32/20-100	40042711
136	Sænke/bremse ventil Over-center valve Senkbremsventil	03220056
137	Sænke/bremse ventil Over-center valve Senkbremsventil	03220056
138	Sænke/bremse ventil Over-center valve Senkbremsventil	03220056
139	Sænke/bremse ventil Over-center valve Senkbremsventil	03220056
140	White 465cc HeavyBearing White 465cc HeavyBearing White 465cc HeavyBearing	03350038
141	Drivrullecylinder 32/20-100 Drive pulley cylinder 32/20-100 Antriebrollezyylinder 32/20-100	40042711
150	Manipulatorventil serie drift Manoeuring valve serie operation Manöervertil Serien trieb	03260019
155	Dobbelt låseventil 1/4 VM 150 Dobbelt lockvalve 1/4 VM 150 Doppel verschliessen ventil 1/4 VM 150	03250096
160	Horisonteringscylinder, 50/20-464 Lev. cylinder, 50/20-464 Ausgl. zylinder, 50/20-464	40146711
162	Overcenterventil, CBCA-LAN Over-centre valve, CBCA-LAN Senkbremsventil, CBCA-LAN	03250022
163	Spole, CCS0 24D Coil, CCS0 24D Spule, CCS0 24D	03240005
164	Magnetventil, GS02-05-00N u/spole Solenoid valve, GS02-05-00N excl. coil Magnetventil, GS02-05-00N ohne spule	03240050
165	Iskra el-motor 48Vdc/800W Iskra el-motor 48Vdc/800W Iskra el-motor 48Vdc/800W	03300057

DENKA LIFT A/S

Højvang 5, 4300 HOLBÆK
Tel. +45 59 45 55 00
Fax. +45 59 45 55 02
e-mail: Technical @ denka. dk

Lift type:HYD DL28-DL30

Lift no:12766

Extra equipment :Diesel

Date :30-11-05

Side: 8 af 9

