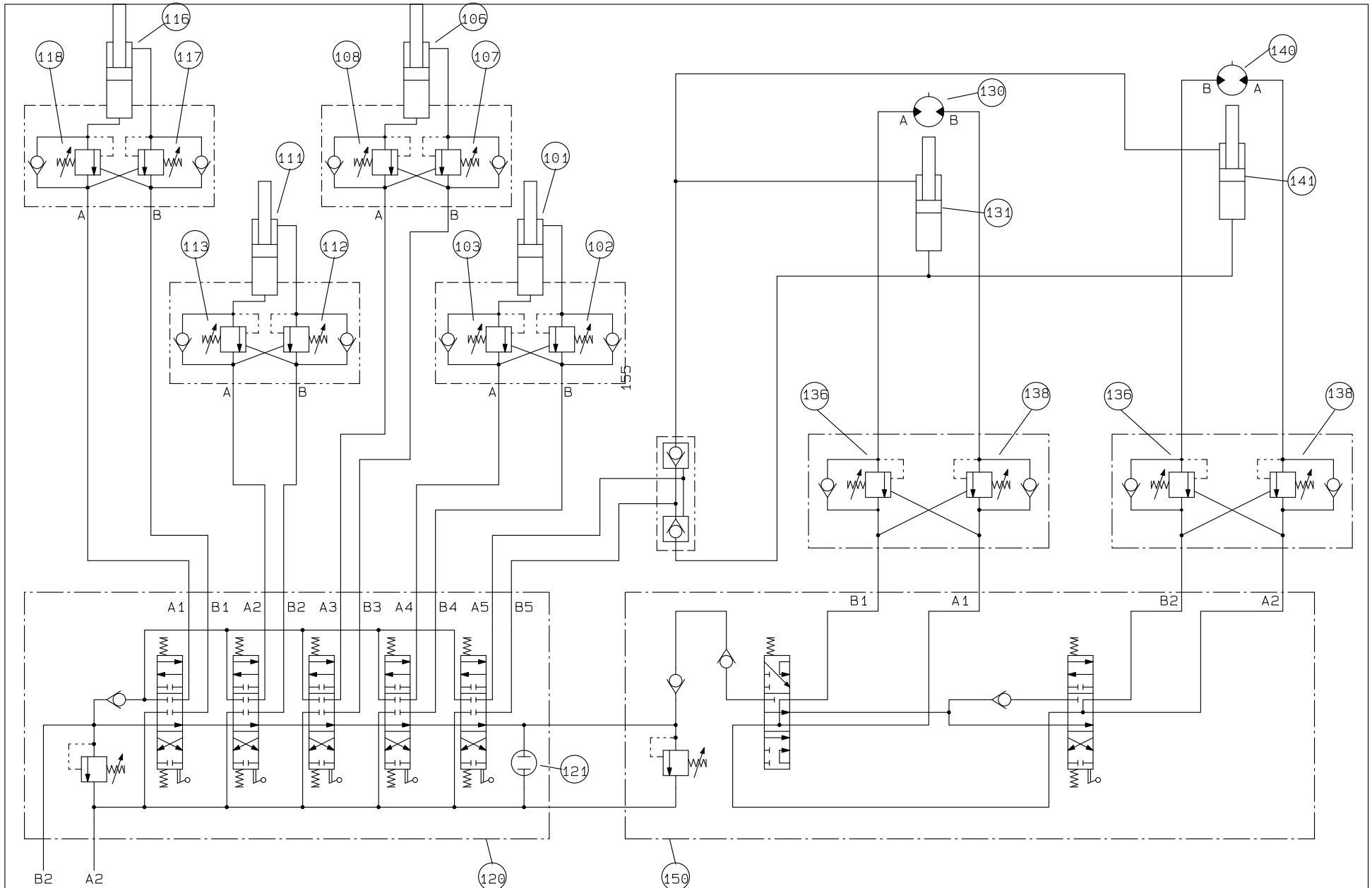


<p>DENKA LIFT Højvang 5 4300 Holbæk Tele : + 45 59 45 55 00 Fax : + 45 59 45 55 02 E-mail : Technical@denka.dk</p>	Lift type: DL25	Lift No: 11063	Hydraulic:	Rev: 02-02-99
	Extra equipment:			
	Date: 18.10.99	Drawn by: KSS	Approved by: LOC	Page: 1 of 9



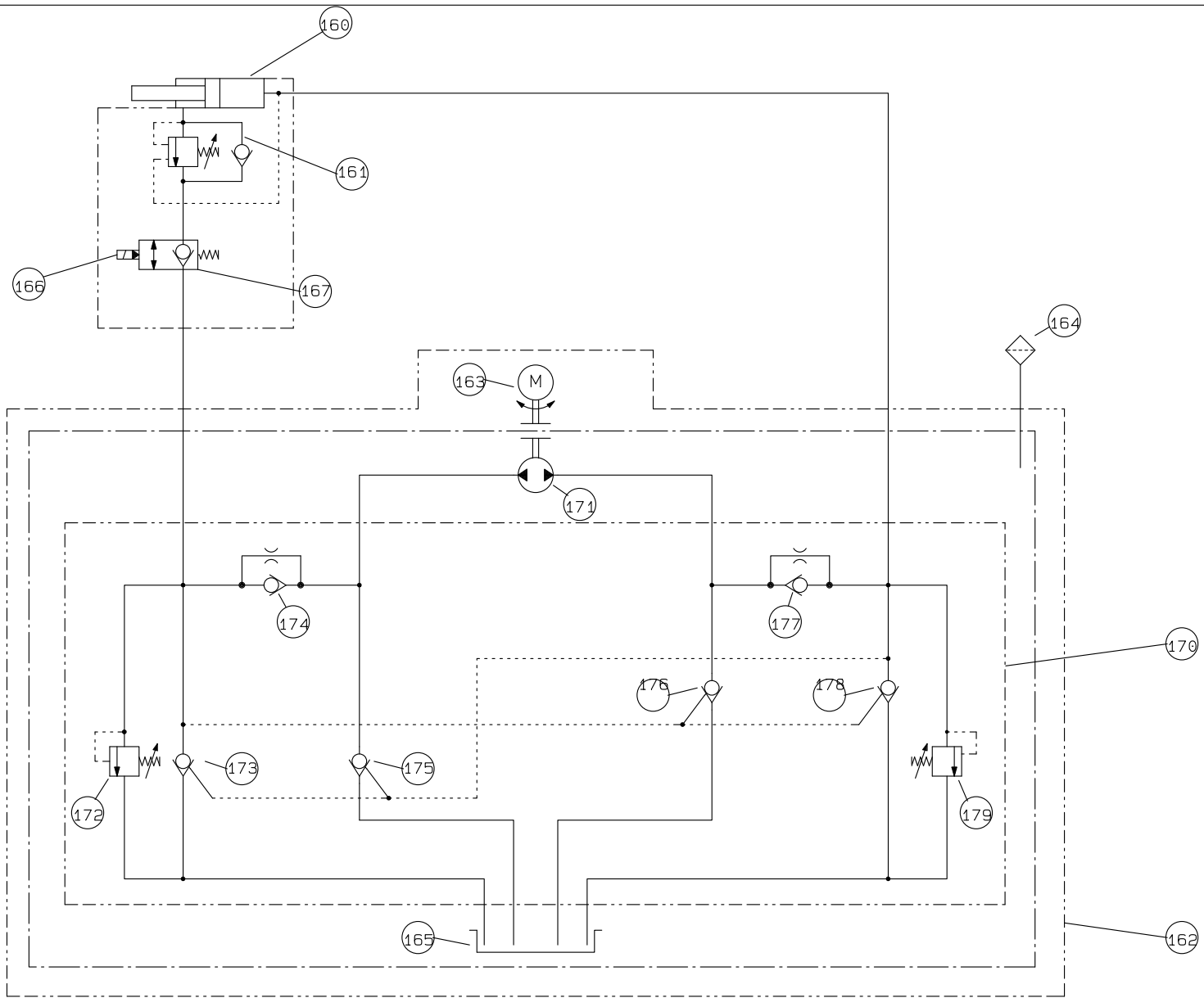
DENKA LIFT
 Højvang 5 4300 Holbæk
 Tele : + 45 59 45 55 00
 Fax : + 45 59 45 55 02
 E-mail : Technical @ denka . dk

Lift type: DL25
 Extra equipment:
 Date: 18.10.99

Lift No: 11063
 Drawn by: KSS

Hydraulic:
 Approved by: L0C

Rev: 02-02-99
 Page: 2 of 9



DENKA LIFT
 Højvang 5 4300 Holbæk
 Tele : + 45 59 45 55 00
 Fax : + 45 59 45 55 02
 E-mail : Technical @ denka . dk

Lift type: DL25
 Extra equipment:
 Date: 18.10.99

Lift No: 11063
 Drawn by: KSS

Hydraulic:
 Approved by: LOC

Rev: 02-02-99
 Page: 3 of 9

Stykliste

Partlist

Stückliste

Pos.	Benevnelse Designation Benennung	Vare nr. Article. Teil nr.
	Kontraventil, 3/8" 0,5bar, CA10 Check valve, 3/8" 0,5bar, CA10 Rückschlagventil, 3/8" 0,5bar, CA10	03250073
1	El.motor, 48V Motor, 48V El.motor, 48V	03300092
2	Pumpe, JBS 6ccm Pumpe, JBS 6ccm Pumpe, JBS 6ccm	03290071
3	Trykfilter, 30 Lpm 1/2" A10 my Pressurefilter, 30 Lpm 1/2" A10 my Drückfilter, 30 Lpm 1/2" A10 my	03270040
4	Returfilter, FIO-20/1 kpl. Return filter, compl. FIO-20/1 Rücklauffilter, kpl. FIO-20/1	03270005
5	Sugefilter, 1319 Suction strainer, 1319 Saugsieb, 1319	03270007
6	Udluftningsfilter, plast TMDF 12 Breather, plastic TMDF 12 Entlüftungsfilter, plast TMDF 12	03270022
7	Håndpumpe, IS 7 Handpump, IS 7 Handpumpe, IS 7	40602800
8	Kontraventil, RZ-12-RL WD 0,5bar Check valve, RZ-12-RL WD 0,5bar Rückschlagventil, RZ-12-RL WD 0,5bar	03250031
9	Overtryksventil, VLP35S-N Pressure control valve, VLP35S-N Druckregelventil, VLP35S-N	03250037
10	Skueglas Sight glass Schauglass	03270015
11	Overtryksventil, VLP35S-N Pressure control valve, VLP35S-N Druckregelventil, VLP35S-N	03250037
12	Overtryksventil, VLP35S-N Pressure control valve, VLP35S-N Druckregelventil, VLP35S-N	03250037
13	Magnetventil, GS02-11-00N u/spole Soleniod valve, GS02-11-00N excl. coil Magnetventil, GS02-11-00N ohne spule	03240065
14	Spole, CCSO 24D Coil, CCSO 24D Spule, CCSO 24D	03240005
15	Ventilblok, HG459 Valve block, HG459 Ventilblock, HG459	03220060
DENKA LIFT A/S Højvang 5, 4300 HOLBÆK Tel. +45 59 45 55 00 Fax. +45 59 45 55 02 e-mail: Technical @ denka. dk		Lift type:HYD DL25 Lift no:11063 Extra equipment : Date :18.10.99 Side: 4 af 9

Stykliste

Partlist

Stückliste

Pos.	Benevnelse Designation Benennung	Vare nr. Article. Teil nr.
16	Hydraulisk/EI drejegenemføring, A564-8 Hydraulic/EI swivel joint, A564-8 Hydraulisch/EI drehdurchführung, A564-8	03460100
17	Vekselventil, R 1/8 EWV-2,5 Shuttle valve, R 1/8 EWV-2,5 Wechselventil, R 1/8 EWV-2,5	03230070
18	Ventilindsats, RVS6-L/8-S Valve insert, RVS6-L/8-S Ventileinsatz, RVS6-L/8-S	03230001
19	Spole, CCS0 24D Coil, CCS0 24D Spule, CCS0 24D	03240005
20	Magnetventil, GS02-01-00N u/spole Solenoid valve, GS02-01-00N excl. coil Magnetventil, GS02-01-00N ohne spule	03240004
21	Trykkompensator, HC011/35 Atos Pressure compensator, HC011/35 Atos Druckkompensator, HC011/35 Atos	03220012
22	Bronzefilter, SBF5 Bronze filter, SBF5 Bronzefilter, SBF5	03230005
23	Dyse m/unbrakohoved S, ø 0,20 Nozzle whit allenmain S, ø 0,20 Düse S, ø 0,20	03230054
24	Magnetventil prop. ud/ind Atos DHZO-A-073-S3-H Solenoid valve prop. out/in Atos DHZO-A-073-S3-H Magnetventil prop. aus/ein Atos DHZO-A-073-S3-H	03240078
25	Magnetventil prop. højre/venstre Atos DHZO-A-073-L1NH Solenoid valve prop. left/right Atos DHZO-A-073-L1NH Magnetventil prop. links/recht Atos DHZO-A-073-L1NH	03240077
26	Kontraventil, 3/8" 0,5bar, CA10 Check valve, 3/8" 0,5bar, CA10 Rückschlagventil, 3/8" 0,5bar, CA10	03250073
28	Magnetventil prop. op/ned Atos DHZO-A-071-L3-H Solenoid valve prop. up/down Atos DHZO-A-071-L3-H Magnetventil prop. auf/ab Atos DHZO-A-071-L3-H	03240076
29	Diesel motor kpl 1D41C X1 Diesel motor kpl 1D41C X1 Diesel motor kpl 1D41C X1	13823101
30	DOBBELT CHOK VENTIL DOBBELT CHOK VALVE Doppel chok ventil	03250053
31	Pumpe, JBS 6ccm Pumpe, JBS 6ccm Pumpe, JBS 6ccm	03290071
32	Filterelement, CR30/1 Filter insert, CR30/1 Filtereinsatz, CR30/1	03270006

DENKA LIFT A/S

Højvang 5, 4300 HOLBÆK
Tel. +45 59 45 55 00
Fax. +45 59 45 55 02
e-mail: Technical @ denka. dk

Lift type:HYD DL25

Lift no:11063

Extra equipment :

Date :18.10.99

Side: 5 af 9

Stykliste

Partlist

Stückliste

Pos.	Benevnelse Designation Benennung	Vare nr. Article. Teil nr.
33	Filterelement, HP 065 1A 10NA Filter insert, HP 065 1A 10NA Filtereinsatz, HP 065 1A 10NA	03270041
34	Manometer, G 63-250 Oil gauge, G 63-250 Manometer, G 63-250	03270042
36	Drøvle kontraventil, R11-0,60 Throttle/Checkvalve, R11-0,60 Drossel/Rückschlagventil, R11-0,60	03250043
37	Blindprop, BP-2X Hole plug, BP-2X Blindpfropf, BP-2X	03250091
40	Ventilindsats, RVS6-L/8-S Valve insert, RVS6-L/8-S Ventileinsatz, RVS6-L/8-S	03230001
41	Ventilindsats, RVS6-L/8-S Valve insert, RVS6-L/8-S Ventileinsatz, RVS6-L/8-S	03230001
42	Ventilindsats, RVS6-L/8-S Valve insert, RVS6-L/8-S Ventileinsatz, RVS6-L/8-S	03230001
43	Ventilindsats, RVS6-L/8-S Valve insert, RVS6-L/8-S Ventileinsatz, RVS6-L/8-S	03230001
44	Ventilblok, HG416 Valve block, HG416 Ventilblock, HG416	03220011
45	Ventilblok, HG412 Valve block, HG412 Ventilblock, HG412	03220008
46	Ventilblok, HG412 Valve block, HG412 Ventilblock, HG412	03220008
47	Ventilblok, HG411 Valve block, HG411 Ventilblock, HG411	03220009
48	Hovedventilblok, HG410/1 Main valve block, HG410/1 Hauptventilblock, HG410/1	03220007
60	Bomcylinder, MK25 75/60-3920 Boomcylinder, MK25 75/60-3920 Auslegerzylinder, MK25 75/60-3920	40072011
61	Overcenterventil, CBCH-LDN Over-centre valve, CBCH-LDN Senkbremsventil, CBCH-LDN	03250023
62	Kontraventil, s.101 (pilotstyret) Check valve, s.101 Rückschlagventil, s.101 (pilotgesteuert)	10010111

DENKA LIFT A/S

Højvang 5, 4300 HOLBÆK
Tel. +45 59 45 55 00
Fax. +45 59 45 55 02
e-mail: Technical @ denka. dk

Lift type:HYD DL25

Lift no:11063

Extra equipment :

Date :18.10.99

Side: 6 af 9

Stykliste

Partlist

Stückliste

Pos.	Benevnelse Designation Benennung	Vare nr. Article. Teil nr.
70	Krøjegear, SOM PG101 PS6,75 GWP 300V Slewinggear, SOM PG101 PS6,75 GWP 300V Drehgear, SOM PG101 PS6,75 GWP 300V	03170009
80	Tipcylinder, DL25 Tiltcylinder, DL25 Hubcylinder, DL25	10138711
81	Magnetventil f. tipcylinder Solenoid valve f. tiltcylinder Magnetventil f. hubcylinder	10108212
82	Kontraventil, s.539 Check valve, s.539 Rückschlagventil, s.539	10053911
83	Magnetventil, GS02-01-10N u/spole Solenoid valve, GS02-01-10N excl. coil Magnetventil, GS02-01-10N ohne spule	03240054
84	Spole, CCSO 24D Coil, CCSO 24D Spule, CCSO 24D	03240005
85	Ventilhus, 2vejs Alu 3/8" (2L) Valve block, 3way Alu 3/8" (2L) Ventilhaus, 2weg Alu 3/8" (2L)	03220034
101	Støttebenscylinder, DL25 Outriggerscylinder, DL25 Stützbeinzylinder, DL25	40140011
102	Overcenterventil, CBCH-LCN Over-centre valve, CBCH-LCN Senkbremsventil, CBCH-LCN	03250024
103	Overcenterventil, CBCH-LCN Over-centre valve, CBCH-LCN Senkbremsventil, CBCH-LCN	03250024
106	Støttebenscylinder, DL25 Outriggerscylinder, DL25 Stützbeinzylinder, DL25	40140011
107	Overcenterventil, CBCH-LCN Over-centre valve, CBCH-LCN Senkbremsventil, CBCH-LCN	03250024
108	Overcenterventil, CBCH-LCN Over-centre valve, CBCH-LCN Senkbremsventil, CBCH-LCN	03250024
111	Støttebenscylinder, DL25 Outriggerscylinder, DL25 Stützbeinzylinder, DL25	40140011
112	Overcenterventil, CBCH-LCN Over-centre valve, CBCH-LCN Senkbremsventil, CBCH-LCN	03250024
113	Overcenterventil, CBCH-LCN Over-centre valve, CBCH-LCN Senkbremsventil, CBCH-LCN	03250024
DENKA LIFT A/S Højvang 5, 4300 HOLBÆK Tel. +45 59 45 55 00 Fax. +45 59 45 55 02 e-mail: Technical @ denka. dk		Lift type:HYD DL25 Lift no:11063 Extra equipment : Date :18.10.99 Side: 7 af 9

Stykliste

Partlist

Stückliste

Pos.	Benevnelse Designation Benennung	Vare nr. Article. Teil nr.
116	Støttebenscylinder, DL25 Outriggercylinder, DL25 Stützbeinzylinder, DL25	40140011
117	Overcenterventil, CBCH-LCN Over-centre valve, CBCH-LCN Senkbremsventil, CBCH-LCN	03250024
118	Overcenterventil, CBCH-LCN Over-centre valve, CBCH-LCN Senkbremsventil, CBCH-LCN	03250024
120	Manøvreventil, SD5/5 Manoeuvring valve, SD5/5 Manöverventil, SD5/5	03260024
121	Carry over Carry over Carry over	10063610
130	Hydraulikmotor, GMVD 200 Orbit motor, GMVD 200 Hydraulikmotor, GMVD 200	40111910
131	Drivrullecylinder 32/20-100 Drive pulley cylinder 32/20-100 Antriebrollezyylinder 32/20-100	40042711
136	Overcenterventil, CBCH-LDN Over-centre valve, CBCH-LDN Senkbremsventil, CBCH-LDN	03250023
138	Overcenterventil, CBCH-LDN Over-centre valve, CBCH-LDN Senkbremsventil, CBCH-LDN	03250023
140	Hydraulikmotor, GMVD 200 Orbit motor, GMVD 200 Hydraulikmotor, GMVD 200	40111910
141	Drivrullecylinder 32/20-100 Drive pulley cylinder 32/20-100 Antriebrollezyylinder 32/20-100	40042711
150	Manipulatorventil, HDM 120 Manipulator valve, HDM 120 Manipulatorventil, HDM 120	40111210
155	Dobbelt låseventil, BP2/07 Dobbelt lockvalve BP2/07 Doppel verschliessen ventil BP2/07	03250061
160	Horisonteringscylinder, 50/20-464 Lev. cylinder, 50/20-464 Ausgl. zylinder, 50/20-464	40080511
161	Overcenterventil, CBCA-LAN Over-centre valve, CBCA-LAN Senkbremsventil, CBCA-LAN	03250022
162	Kurvehorisonteringsanlæg Levelling Unit Korbausgleichanlage	10087711

DENKA LIFT A/S

Højvang 5, 4300 HOLBÆK
Tel. +45 59 45 55 00
Fax. +45 59 45 55 02
e-mail: Technical @ denka. dk

Lift type:HYD DL25

Lift no: 11063

Extra equipment :

Date : 18.10.99

Side: 8 af 9

Stykliste

Partlist

Stückliste

Pos.	Benevnelse Designation Benennung	Vare nr. Article. Teil nr.
163	El.motor, PM2 24V M-V-U/F PARVA Motor, PM2 24V M-V-U/F PARVA Motor, PM2 24V M-V-U/F PARVA	10966911
164	Udluftning/oliepind Bleeding/oildipstick Entlüftung/Ölpeilstab	03370019
165	Tank-/afdækn. rør f. hydr. anlæg Reservoir f. levelling system Öltank f. ausgleichanlage	10093110
166	Spole, CCS0 24D Coil, CCS0 24D Spule, CCS0 24D	03240005
167	Magnetventil, GS02-05-00N u/spole Solenoid valve, GS02-05-00N excl. coil Magnetventil, GS02-05-00N ohne spule	03240050
170	Ventilblok, s.567 Valve block, s.567 Ventilblock, s.567	10056711
171	Pumpe, 0,25R-36 Pump, 0,25R-36 Pumpe, 0,25R-36	03290015
172	Trykbegrænsningsventil Pressure control valve Druckregelventil	10059111
173	Kontraventil, s.101 (pilotstyret) Check valve, s.101 Rückschlagventil, s.101 (pilotgesteuert)	10010111
174	Ventilindsats, RVS6-L/8-S-ø1,1 Valve insert, RVS6-L/8-S-ø1,1 Ventileinsatz, RVS6-L/8-S-ø1,1	10106411
175	Kontraventil, s.101 (pilotstyret) Check valve, s.101 Rückschlagventil, s.101 (pilotgesteuert)	10010111
176	Kontraventil, s.101 (pilotstyret) Check valve, s.101 Rückschlagventil, s.101 (pilotgesteuert)	10010111
177	Ventilindsats, RVS6-L/8-S-ø1,1 Valve insert, RVS6-L/8-S-ø1,1 Ventileinsatz, RVS6-L/8-S-ø1,1	10106411
178	Kontraventil, s.101 (pilotstyret) Check valve, s.101 Rückschlagventil, s.101 (pilotgesteuert)	10010111
179	Trykbegrænsningsventil Pressure control valve Druckregelventil	10059111
DENKA LIFT A/S Højvang 5, 4300 HOLBÆK Tel. +45 59 45 55 00 Fax. +45 59 45 55 02 e-mail: Technical @ denka. dk		Lift type:HYD DL25 Lift no:11063 Extra equipment : Date :18.10.99 Side: 9 af 9