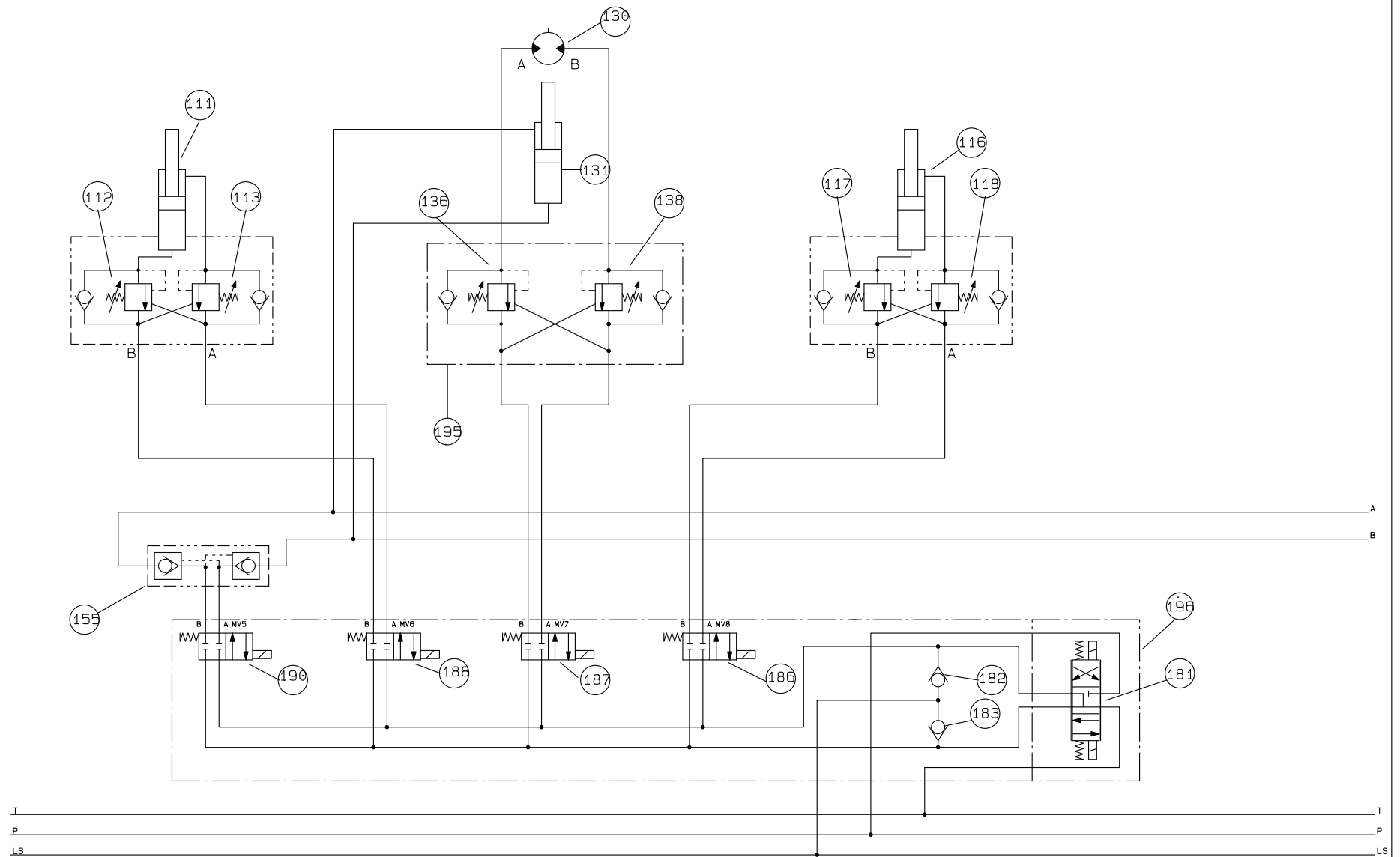


1-2-3... Printet i ventil blok
 1-2-3... Printet on valve block
 1-2-3... In block Ausgedruckt

DENKA LIFT Højvang 5 4300 Holbæk Tele : + 45 59 45 55 00 Fax : + 45 59 45 55 02 E-mail : Technical @ denka . dk	Lift type: DL 21	Lift No: 11131	Hydraulic: HG410/99-ON/OFF	Rev: 11-11-99
	Extra equipment: EL/Selvköring - EL/Selvdrive - EL/Selbstfahrantrieb	Date: 21.01.2000	Drawn by: JS	Approved by: JS



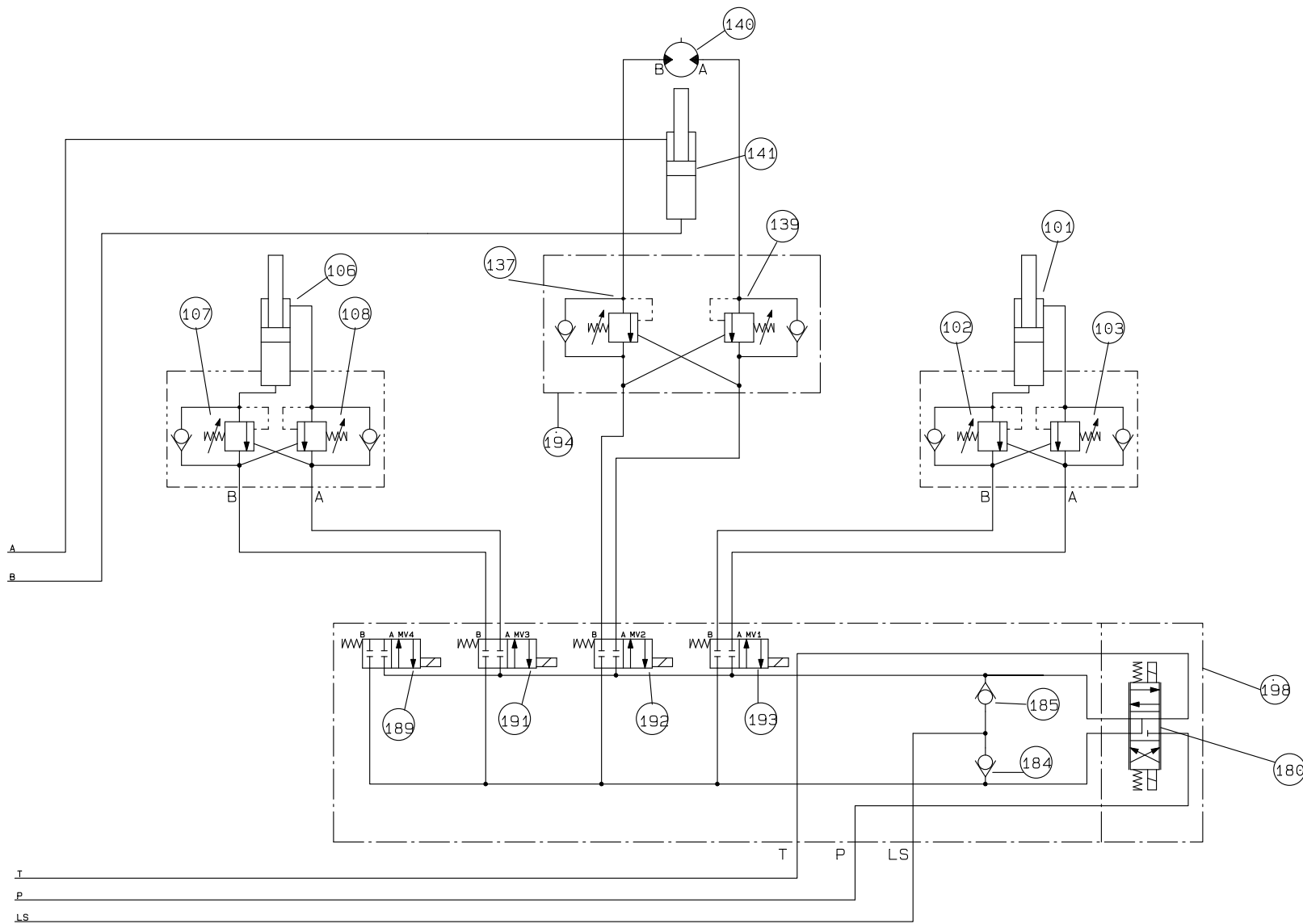
DENKA LIFT
 Højvang 5 4300 Holbæk
 Tele : + 45 59 45 55 00
 Fax : + 45 59 45 55 02
 E-mail : Technical @ denka. dk

Lift type: DL 21
 Extra equipment: EL/Selvköring - EL/Selvdrive - EL/Selbstfahrantrieb
 Date: 21.01.2000

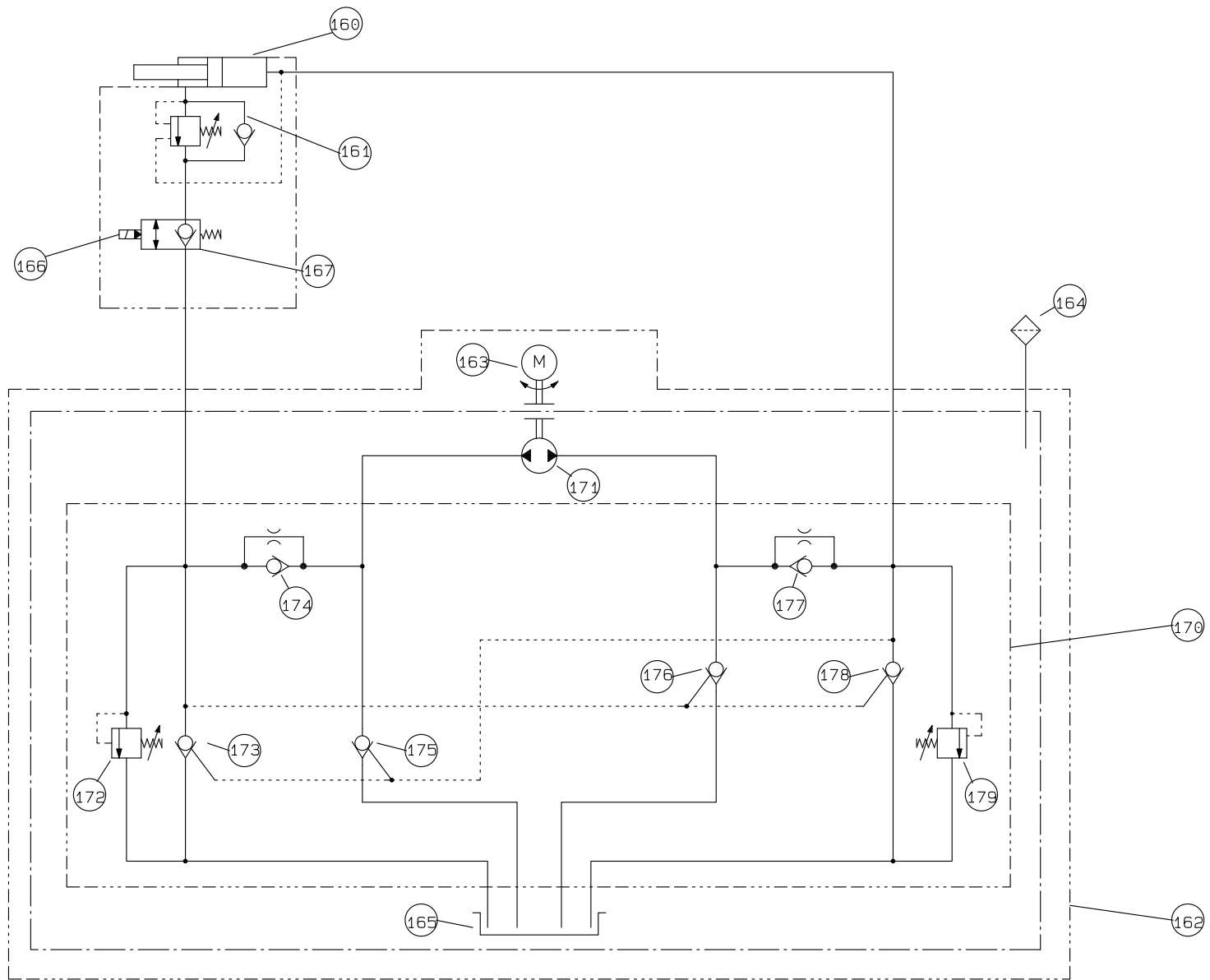
Lift No: 11131
 Drawn by: JS

Hydraulic: HG410/99-ON/OFF
 Approved by: JS

Rev: 11-11-99
 Page: 2 of 11



DENKA LIFT Højvang 5 4300 Holbæk Tele : + 45 59 45 55 00 Fax : + 45 59 45 55 02 E-mail : Technical @ denka . dk	Lift type: DL 21	Lift No: 11131	Hydraulic: HG410/99-ON/OFF	Rev: 11-11-99
	Extra equipment: EL/Selvköring - EL/Selvdrive - EL/Selbstfahrantrieb			
	Date: 21.01.2000	Drawn by: JS	Approved by: JS	Page: 3 of 11



DENKA LIFT
 Højvang 5 4300 Holbæk
 Tele : + 45 59 45 55 00
 Fax : + 45 59 45 55 02
 E-mail : Technical @ denka . dk

Lift type: DL 21
 Extra equipment: EL/Selvköring - EL/Selvdrive - EL/Selbstfahrantrieb
 Date: 21.01.2000

Lift No: 11131
 Drawn by: JS

Hydraulic: HG410/99-ON/OFF
 Approved by: JS

Rev: 11-11-99
 Page: 4 of 11

Stykliste

Partlist

Stückliste

Pos.	Benevnelse Designation Benennung	Vare nr. Article. Teil nr.
1	El.motor, 24MC 42 THWA Motor, 24MC 42 THWA El.motor, 24MC 42 THWA	03300004
2	Pumpe, P1 13MD6 Pump, P1 13MD6 Pumpe, P1 13MD6	03290001
3	Filterelement, CR30/1 Filter insert, CR30/1 Filtereinsatz, CR30/1	03270006
4	Returfilter, FIO-20/1 kpl. Return filter, compl. FIO-20/1 Rücklauffilter, kpl. FIO-20/1	03270005
5	Sugefilter, 1319 Suction strainer, 1319 Saugsieb, 1319	03270007
6	Udluftningsfilter, plast TMDF 12 Breather, plastic TMDF 12 Entlüftungsfilter, plast TMDF 12	03270022
7	Håndpumpe, IS 7 Handpump, IS 7 Handpumpe, IS 7	40602800
8	Kontraventil for pumpe s.409 Check valve for pump s.409 Rückschlagventil für pumpe s.409	10040911
9	Overtryksventil, VLP35S-N Pressure control valve, VLP35S-N Druckregelventil, VLP35S-N	03250037
10	Skueglas Sight glass Schauglass	03270015
11	Overtryksventil, VLP35S-N Pressure control valve, VLP35S-N Druckregelventil, VLP35S-N	03250037
12	Overtryksventil, VLP35S-N Pressure control valve, VLP35S-N Druckregelventil, VLP35S-N	03250037
13	Magnetventil, GS02-11-00N u/spole Soleniod valve, GS02-11-00N excl. coil Magnetventil, GS02-11-00N ohne spule	03240065
14	Spole, CCSO 24D Coil, CCSO 24D Spule, CCSO 24D	03240005
15	Flowdeler, L04A3-2-8N Flowdivider, L04A3-2-8N Mengenteiler, L04A3-2-8N	03250069

DENKA LIFT A/S

Højvang 5, 4300 HOLBÆK
Tel. +45 59 45 55 00
Fax. +45 59 45 55 02
e-mail: Technical @ denka. dk

Lift type:HYD DL 21

Lift no:11131

Extra equipment : EL/Sølvkøring - EL/Sølvdrive - EL/Selbstfahrantrieb

Date :21.01.2000

Side: 5 af 11

Stykliste

Partlist

Stückliste

Pos.	Benevnelse Designation Benennung	Vare nr. Article. Teil nr.
16	Hydraulisk drejeled 3 P Hydraulic swivel 3 P Hydraulisch drehdurchfurung 3 P	10148611
17	Vekselventil, R 1/8 EWV-2,5 Shuttle valve, R 1/8 EWV-2,5 Wechselventil, R 1/8 EWV-2,5	03230070
18	Ventilindsats, IFC14-1,1 Valve insert, IFC14-1,1 Ventileinsatz, IFC14-1,1	03230011
19	Spole, CCSO 24D Coil, CCSO 24D Spule, CCSO 24D	03240005
20	Magnetventil, GS02-01-00N u/spole Solenoid valve, GS02-01-00N excl. coil Magnetventil, GS02-01-00N ohne spule	03240004
21	Ventilindsats, IFC14-2,4 Valve insert, IFC14-2,4 Ventileinsatz, IFC14-2,4	03230071
22	Logikelement VLP06/R0-E-0 Logicelement VLP06/R0-E-0 Logikelement VLP06/R0-E-0	03270105
23	Magnetventil, DHI-0630/2-X24DC Solenoid valve, DHI-0630/2-X24DC Magnetventil, DHI-0630/2-X24DC	03240009
24	Magnetventil, DHI-0713-X24DC Solen. valve, DHI-0713-X24DC Magnetventil, DHI-0713-X24DC	03240011
25	Magnetventil, DHI-0713-X24DC Solen. valve, DHI-0713-X24DC Magnetventil, DHI-0713-X24DC	03240011
28	Magnetventil, DHI-0613-X24DC Solenoid valve, DHI-0613-X24DC Magnetventil, DHI-0613-X24DC	03240023
34	Manometer, G 63-160 Oil gauge, G 63-160 Manometer, G 63-160	03270019
36	Drøvle kontraventil, R11-0,60 Throttle/Checkvalve, R11-0,60 Drossel/Rückschlagventil, R11-0,60	03250043
37	Magnetventil, GS02-25-10N u/spole Solenoid valve, GS02-25-10N excl. coil Magnetventil, GS02-25-10N ohne spule	03240080
38	Spole, CCSO 24D Coil, CCSO 24D Spule, CCSO 24D	03240005
39	Kontraventil, RZ08RL Check valve, RZ08RL Rückschlagventil, RZ08RL	03250039

DENKA LIFT A/S

Højvang 5, 4300 HOLBÆK
Tel. +45 59 45 55 00
Fax. +45 59 45 55 02
e-mail: Technical @ denka. dk

Lift type:HYD DL 21

Lift no:11131

Extra equipment :EL/Sølvkøring - EL/Selvdive - EL/Selbstfahrantrieb

Date :21.01.2000

Side: 6 af 11

Stykliste

Partlist

Stückliste

Pos.	Benevnelse Designation Benennung	Vare nr. Article. Teil nr.
40	Spole, CCSO 24D Coil, CCSO 24D Spule, CCSO 24D	03240005
41	Magnetventil, GS02-01-00N u/spole Solenoid valve, GS02-01-00N excl. coil Magnetventil, GS02-01-00N ohne spule	03240063
43	Hovedbl. HG410 ver.99 On/off Mainblock HG410 ver.99 On/off Ventilblock HG410 ver.99 On/off	03220053
44	Ventilblok HG 459/2 Valveblock HG 459/2 Ventilblock HG 459/2	03220067
45	Ventilblok alu 06 SE Valveblock alu 06 SE Ventilblock alu 06 SE	03220065
46	Kontraventil, s.539 Check valve, s.539 Rückschlagventil, s.539	10053911
47	Dyse blok m.filter Nozzle block w.filter Filter block m. filter	10149211
60	Bomcylinder, MK24 75/60-3880 Boomcylinder, MK24 75/60-3880 Auslegerzylinder, MK24 75/60-3880	40105111
61	Overcenterventil, CBCH-LDN Over-centre valve, CBCH-LDN Senkbremsventil, CBCH-LDN	03250023
62	Kontraventil, s.101 (pilotstyret) Check valve, s.101 Rückschlagventil, s.101 (pilotgesteuert)	10010111
70	Hydraulikmotor, OMPA 400 Orbit motor, OMPA 400 Hydraulikmotor, OMPA 400	03350001
71	Bremsecylinder Slew brake cylinder Drehbremsezyylinder	40104311
72	Bremsecylinder Slew brake cylinder Drehbremsezyylinder	40104311
80	Tipcylinder, DK7 RBW 100/65-859 Tiltcylinder, DK7 RBW 100/65-859 Hubzylinder, DK7 RBW 100/65-859	40085611
81	Magnetventil f. tipcylinder Solenoid valve f. tiltcylinder Magnetventil f. hubzylinder	10108212
83	Magnetventil, GS02-01-10N u/spole Solenoid valve, GS02-01-10N excl. coil Magnetventil, GS02-01-10N ohne spule	03240054
DENKA LIFT A/S Højvang 5, 4300 HOLBÆK Tel. +45 59 45 55 00 Fax. +45 59 45 55 02 e-mail: Technical @ denka. dk		Lift type:HYD DL 21 Lift no:11131 Extra equipment : EL/Selvkøring - EL/Selvdrive - EL/Selbstfahrantrieb Date :21.01.2000 Side: 7 af 11

Stykliste

Partlist

Stückliste

Pos.	Benevnelse Designation Benennung	Vare nr. Article. Teil nr.
84	Spole, CCSO 24D Coil, CCSO 24D Spule, CCSO 24D	03240005
101	Støttebenscylinder DK7/DL16-21 Outtriggercylinder DK7/DL16/21 Stützbeinzylinder DK7/DL16-21	40151411
102	Overcenterventil, CBCH-LCN Over-centre valve, CBCH-LCN Senkbremsventil, CBCH-LCN	03250024
103	Overcenterventil, CBCH-LCN Over-centre valve, CBCH-LCN Senkbremsventil, CBCH-LCN	03250024
106	Støttebenscylinder DK7/DL16-21 Outtriggercylinder DK7/DL16/21 Stützbeinzylinder DK7/DL16-21	40151411
107	Overcenterventil, CBCH-LCN Over-centre valve, CBCH-LCN Senkbremsventil, CBCH-LCN	03250024
108	Overcenterventil, CBCH-LCN Over-centre valve, CBCH-LCN Senkbremsventil, CBCH-LCN	03250024
111	Støttebenscylinder DK7/DL16-21 Outtriggercylinder DK7/DL16/21 Stützbeinzylinder DK7/DL16-21	40151411
112	Overcenterventil, CBCH-LCN Over-centre valve, CBCH-LCN Senkbremsventil, CBCH-LCN	03250024
113	Overcenterventil, CBCH-LCN Over-centre valve, CBCH-LCN Senkbremsventil, CBCH-LCN	03250024
116	Støttebenscylinder DK7/DL16-21 Outtriggercylinder DK7/DL16/21 Stützbeinzylinder DK7/DL16-21	40151411
117	Overcenterventil, CBCH-LCN Over-centre valve, CBCH-LCN Senkbremsventil, CBCH-LCN	03250024
118	Overcenterventil, CBCH-LCN Over-centre valve, CBCH-LCN Senkbremsventil, CBCH-LCN	03250024
130	White orbitmotor 232 CE 14 White orbitmotor 232 CE 14 White orbitmotor 232 CE 14	03350023
131	Drivrulle cylinder Drive pulley cylinder Antriebrolle zylinder	40042711
136	Overcenterventil E2A020 Overcenter-valve E2A020 Senkbremsventil E2A020	03250065

DENKA LIFT A/S

Højvang 5, 4300 HOLBÆK
Tel. +45 59 45 55 00
Fax. +45 59 45 55 02
e-mail: Technical @ denka. dk

Lift type:HYD DL 21

Lift no:11131

Extra equipment :EL/Sølvkøring - EL/Sølvdrive - EL/Sølvfahrantrieb

Date :21.01.2000

Side: 8 af 11

Stykliste

Partlist

Stückliste

Pos.	Benevnelse Designation Benennung	Vare nr. Article. Teil nr.
137	Overcenterventil E2A020 Overcenter-valve E2A020 Senkbremsventil E2A020	03250065
138	Overcenterventil E2A020 Overcenter-valve E2A020 Senkbremsventil E2A020	03250065
139	Overcenterventil E2A020 Overcenter-valve E2A020 Senkbremsventil E2A020	03250065
140	White orbitmotor 232 CE 14 White orbitmotor 232 CE 14 White orbitmotor 232 CE 14	03350023
141	Drivrulle cylinder Drive pulley cylinder Antriebrulle zylinder	40042711
155	Dobbelt låseventil, BP2/07 Dobbelt lockvalve BP2/07 Doppel verschliessen ventil BP2/07	03250061
160	Horisonteringscylinder, 50/20-464 Lev. cylinder, 50/20-464 Ausgl. zylinder, 50/20-464	40146711
161	Overcenterventil, CBCA-LAN Over-centre valve, CBCA-LAN Senkbremsventil, CBCA-LAN	03250022
162	Kurvehorisonteringsanlæg Levelling Unit Korbausgleichanlage	10087711
163	El.motor, PM2 24V M-V-U/F PARVA Motor, PM2 24V M-V-U/F PARVA Motor, PM2 24V M-V-U/F PARVA	10966911
164	Udluftning/oliepind Bleeding/oildipstick Entlüftung/Ölpeilstab	03370019
165	Tank-/afdækn. rør f. hydr. anlæg Reservoir f. levelling system Öltank f. ausgleichanlage	10093110
166	Spole, CCS0 24D Coil, CCS0 24D Spule, CCS0 24D	03240005
167	Magnetventil, GS02-05-00N u/spole Solenoid valve, GS02-05-00N excl. coil Magnetventil, GS02-05-00N ohne spule	03240050
170	Ventilblok, s.567 Valve block, s.567 Ventilblock, s.567	10056711
171	Pumpe, Ø, 25R-36 Pump, Ø, 25R-36 Pumpe, Ø, 25R-36	03290015

DENKA LIFT A/S

Højvang 5, 4300 HOLBÆK
Tel. +45 59 45 55 00
Fax. +45 59 45 55 02
e-mail: Technical @ denka. dk

Lift type:HYD DL 21

Lift no:11131

Extra equipment : EL/Sølvkøring - EL/Sølvdrive - EL/Selbstfahrantrieb

Date :21.01.2000

Side: 9 af 11

Stykliste

Partlist

Stückliste

Pos.	Benevnelse Designation Benennung	Vare nr. Article. Teil nr.
172	Trykbegrænsningsventil Pressure control valve Druckregelventil	10059111
173	Kontraventil, s.101 (pilotstyret) Check valve, s.101 Rückschlagventil, s.101 (pilotgesteuert)	10010111
174	Ventilindsats, RVS6-L/8-S-ø1,1 Valve insert, RVS6-L/8-S-ø1,1 Ventileinsatz, RVS6-L/8-S-ø1,1	10106411
175	Kontraventil, s.101 (pilotstyret) Check valve, s.101 Rückschlagventil, s.101 (pilotgesteuert)	10010111
176	Kontraventil, s.101 (pilotstyret) Check valve, s.101 Rückschlagventil, s.101 (pilotgesteuert)	10010111
177	Ventilindsats, RVS6-L/8-S-ø1,1 Valve insert, RVS6-L/8-S-ø1,1 Ventileinsatz, RVS6-L/8-S-ø1,1	10106411
178	Kontraventil, s.101 (pilotstyret) Check valve, s.101 Rückschlagventil, s.101 (pilotgesteuert)	10010111
179	Trykbegrænsningsventil Pressure control valve Druckregelventil	10059111
180	Magnetventil prop. ud/ind Atos DHZO-A-073-S3-H Solenoid valve prop. out/in Atos DHZO-A-073-S3-H Magnetventil prop. aus/ein Atos DHZO-A-073-S3-H	03240078
181	Magnetventil prop. ud/ind Atos DHZO-A-073-S3-H Solenoid valve prop. out/in Atos DHZO-A-073-S3-H Magnetventil prop. aus/ein Atos DHZO-A-073-S3-H	03240078
182	Ventilindsats, RVS6-L/8-S Valve insert, RVS6-L/8-S Ventileinsatz, RVS6-L/8-S	03230001
183	Ventilindsats, RVS6-L/8-S Valve insert, RVS6-L/8-S Ventileinsatz, RVS6-L/8-S	03230001
184	Ventilindsats, RVS6-L/8-S Valve insert, RVS6-L/8-S Ventileinsatz, RVS6-L/8-S	03230001
185	Ventilindsats, RVS6-L/8-S Valve insert, RVS6-L/8-S Ventileinsatz, RVS6-L/8-S	03230001
186	Magnetventil GS04 43-00 Solenoidvalve GS04 43-00 Magnetventil GS04 43-00	03240079
187	Magnetventil GS04 43-00 Solenoidvalve GS04 43-00 Magnetventil GS04 43-00	03240079

DENKA LIFT A/S

Højvang 5, 4300 HOLBÆK
Tel. +45 59 45 55 00
Fax. +45 59 45 55 02
e-mail: Technical @ denka. dk

Lift type:HYD DL 21

Lift no:11131

Extra equipment : EL/Selvkøring - EL/Selvdrive - EL/Selbstfahrantrieb

Date :21.01.2000

Side: 10 af 11

