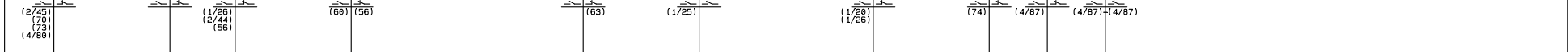
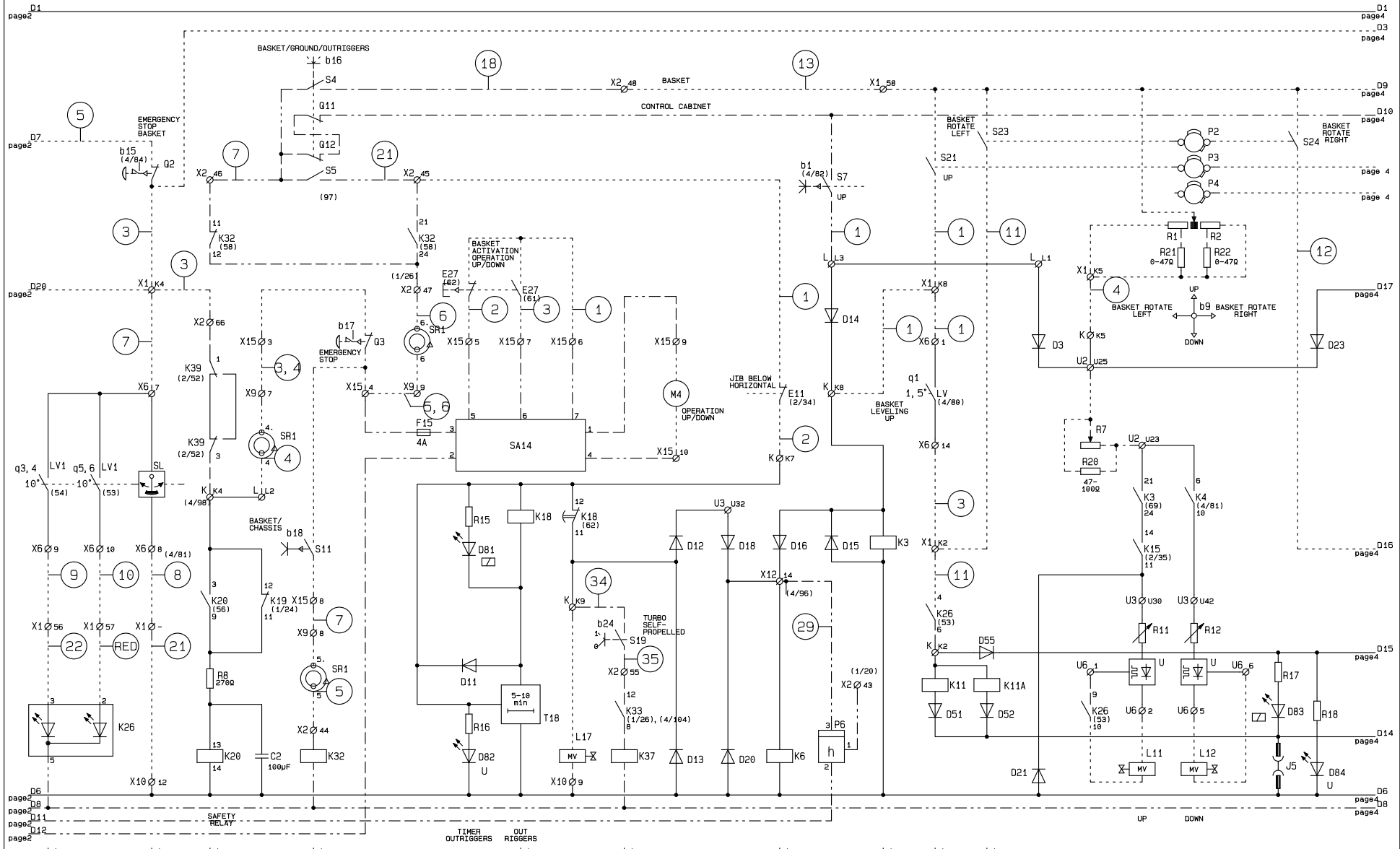
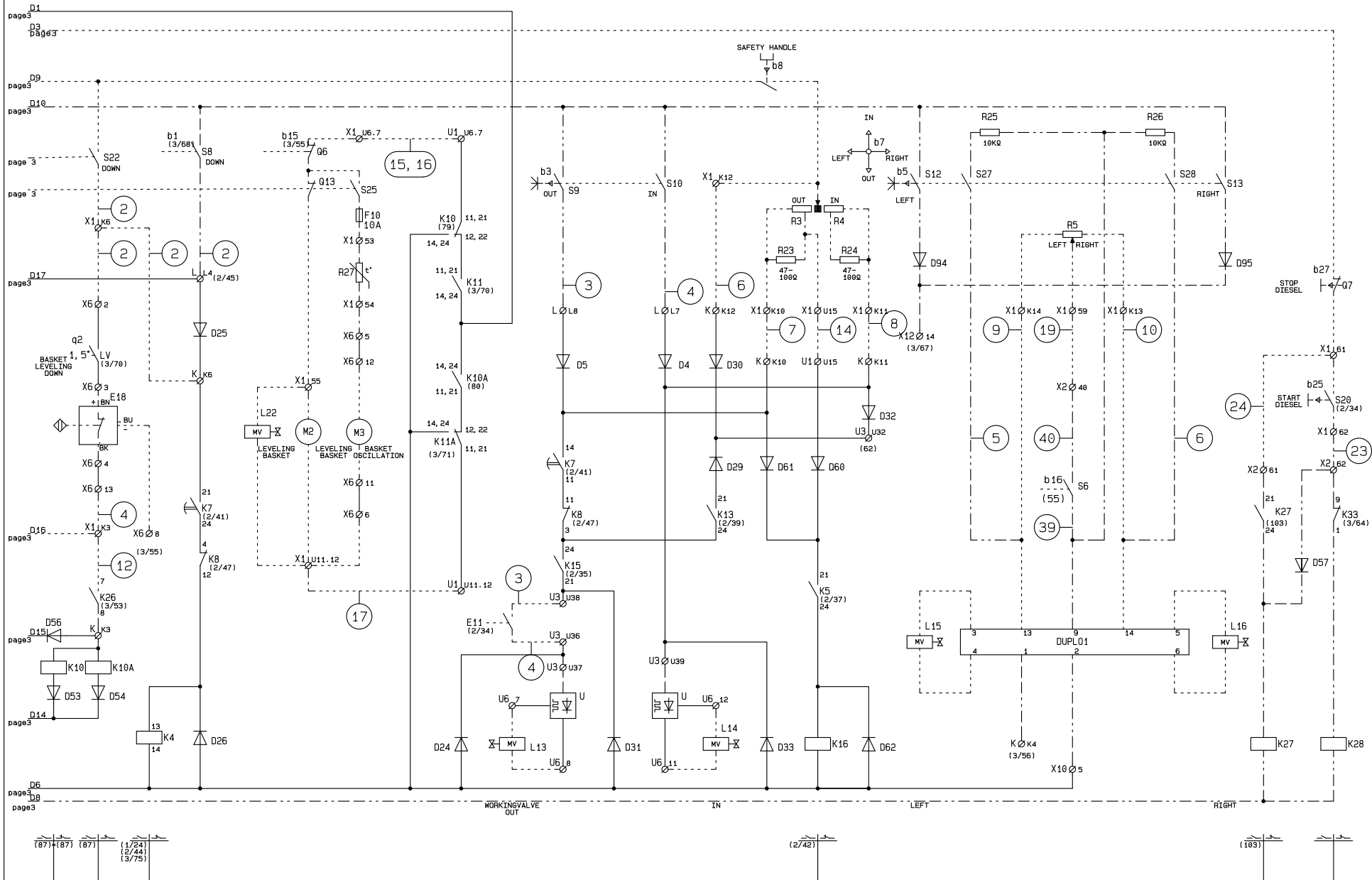
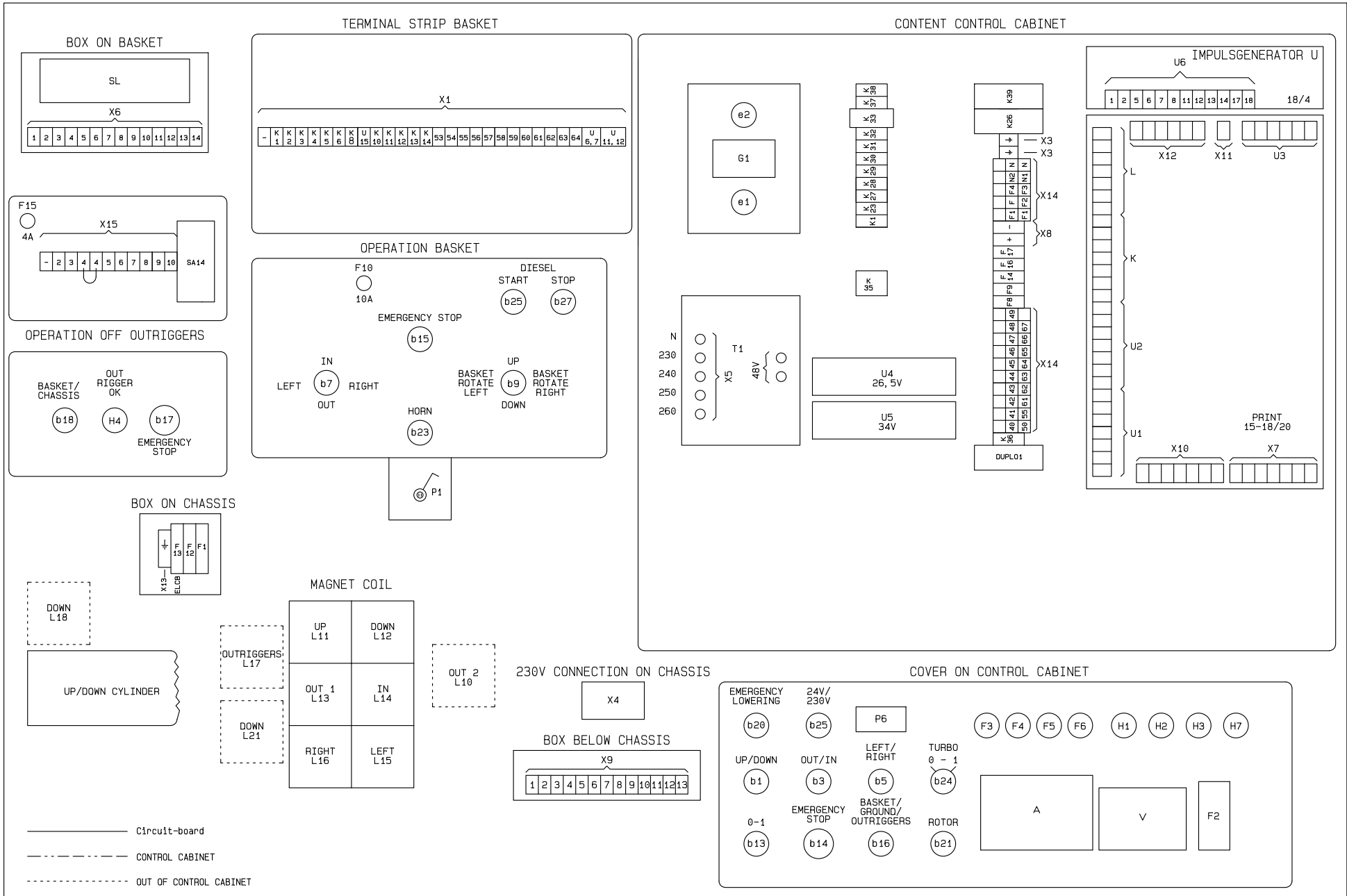
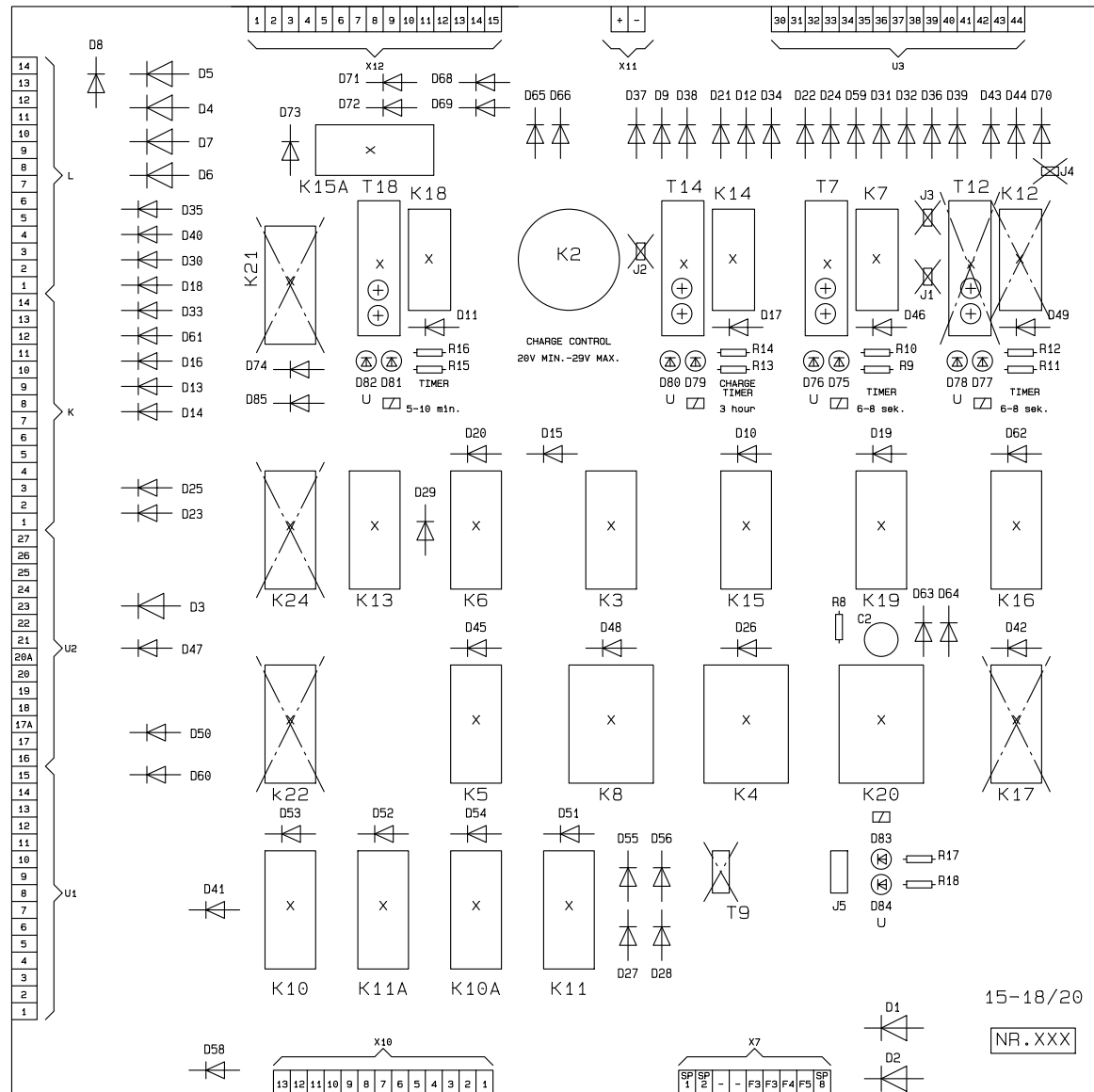


|   |   |                                 |                                 |                |
|---|---|---------------------------------|---------------------------------|----------------|
| DENKA LIFT                              | Lift type : DL30 RBW                                      | No : 12766                      | Hydraulics : Duplomatic Ver. 1  | Dia No. : -    |
|   | Extra equipment: CE MODEL, DIESEL + GENERATOR, ROTORLIGHT | Title : Key circuit diagram     |                                 |                |
| Højvang 5 4300 Holbæk Phone 59 45 55 00 | Drawn by : MWF  | Approved by : CTJ REGSTRUP AUT. | Date : 30-11-05 Rev. : 19-11-04 | Page : 2 of 12 |



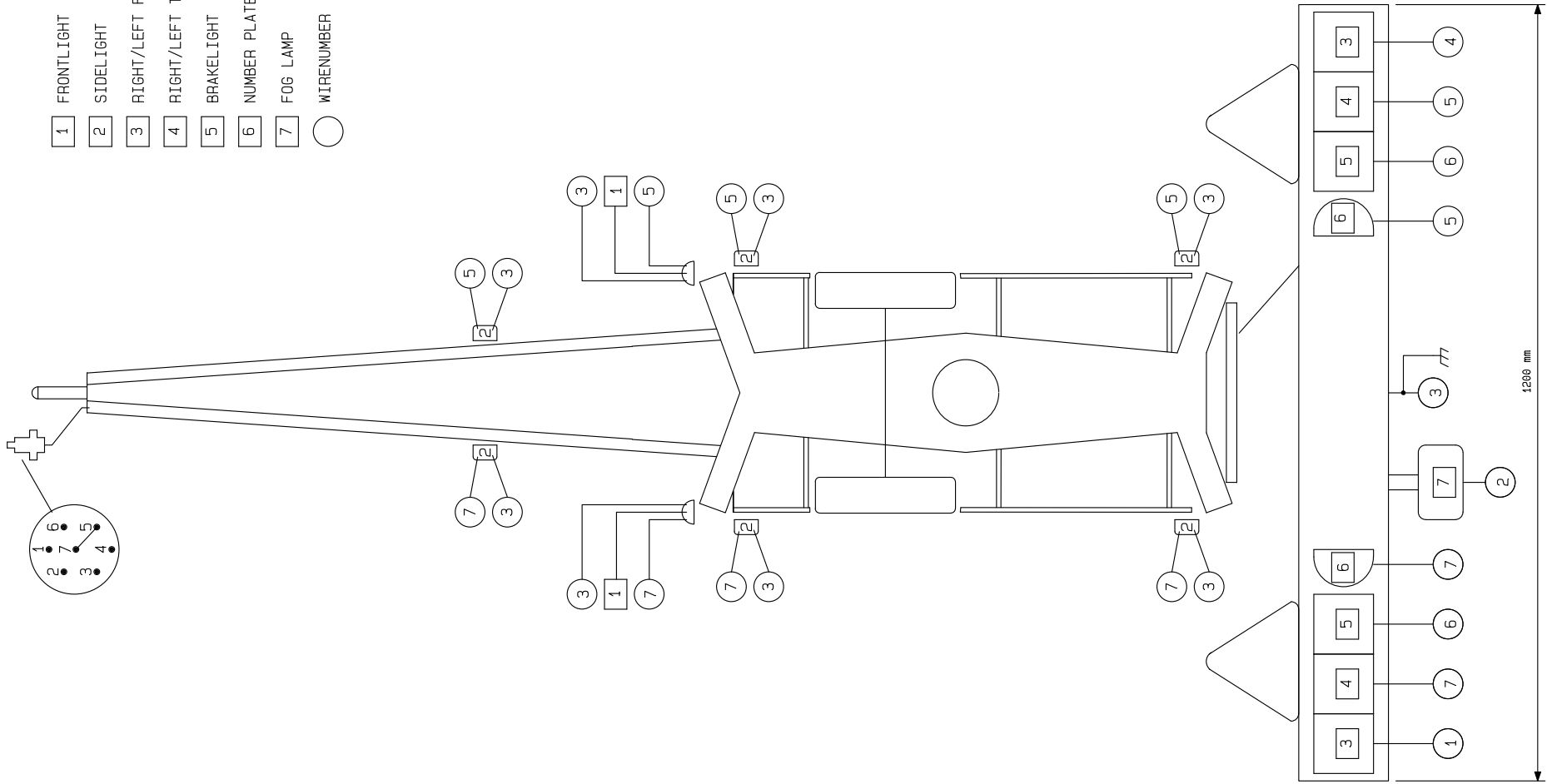






= FREE SOCKET

- 1 FRONTLIGHT
- 2 SIDELIGHT
- 3 RIGHT/LEFT FLASH
- 4 RIGHT/LEFT TAILLIGHT
- 5 BRAKELIGHT
- 6 NUMBER PLATE LAMP
- 7 FOG LAMP
- WIRENUMBER



# DENKA LIFT

|   |                                 |                                 |                |
|---|---------------------------------|---------------------------------|----------------|
| Lift type : DL30 RBW                                      | No : 12766                      | Hydraulics : Duplomatic Ver. 1  | Dia No. : -    |
| Extra equipment: CE MODEL, DIESEL + GENERATOR, ROTORLIGHT | Title : Light on chassis        |                                 |                |
| Drawn by : MWF  | Approved by : CTJ REGSTRUP AUT. | Date : 30-11-05 Rev. : 19-11-04 | Page : 7 of 12 |

## PARTSLIST

Machine type : DL30 RBW  
 Machine number : 12766  
 Extra equipment : CE MODEL, DIESEL + GENERATOR, ROTORLIGHT

Denka Lift A/S  
 Højvang 5  
 DK-4300 Holbæk  
 e-mail: info@denka.dk  
 Phone +45 59 45 55 00  
 Telefax. +45 59 44 21 55

| Pos.  | Description                       | Part No  |
|---|-----------------------------------|----------|
| A   | Ammeter, GB R9M 0/50A             | 03400007 |
| B1..B8  | Batterie Trojan 6V nr. 105        | 03080014 |
| C1  | Relay, 0333 006 006               | 03300052 |
| C2  | Capacitor, 100µF 63V              | 03480150 |
| C3  | Capacitor, 0,22µF x1 300V SH      | 03480151 |
| C4  | Capacitor 20uF 450 V AC           | 03300065 |
| D1, D2  | Diode, 6 Amp. 400V                | 03480104 |
| D3..D5  | Diode, 3 Amp. 400V                | 03480103 |
| D8..D58, D60..D64, D71..D73, D90,<br>D93..D95, D100, D101 | Diode, 1n4007 1000V               | 03480101 |
| D75, D79, D81, D83  | Lightdiode, yellow 5mm            | 03480107 |
| D76, D80, D82, D84  | Lightdiode, green 5mm             | 03480106 |
| DUPL01  | Electronic control unit, AP-TS 21 | 03410605 |
| E5, E6, E29, E30  | Limit switch, XCK-J561            | 03090003 |
| E7  | Limit switch, XCK-M521            | 03090013 |
| E11   | Limit switch 7732 2N0-2NC         | 03090113 |
| E18   | Inductive sensor, XS2N12PB340     | 03410072 |
| E20..E23  | Limit switch, XCK-P510            | 03090018 |
| E27   | Limit switch, XCK-S502            | 03090030 |
| E31, E32  | Limit switch, XCK-P518            | 03090019 |
| E33   | Limit switch, XCK-P110            | 03090016 |
| F1, F12   | Automatic fuse, 10A               | 03410009 |
| F2  | Fuse automatic, 50A               | 03410010 |
| F3  | Fuse, 16A                         | 03410007 |

Dia No :-

Drawn by : MWF

Approved by : CTJ REGSTRUP AUT.

Date : 30-11-05

Revision : 19-11-04

Page : 8 of 12

## PARTSLIST

Machine type : DL30 RBW  
 Machine number : 12766  
 Extra equipment : CE MODEL, DIESEL + GENERATOR, ROTORLIGHT

Denka Lift A/S  
 Højvang 5  
 DK-4300 Holbæk  
 e-mail: info@denka.dk  
 Phone +45 59 45 55 00  
 Telefax. +45 59 44 21 55

| Pos.  | Description                              | Part No  |
|---|--|----------|
| F4, F5, F15, F16  | Fuse, 4A                                 | 03410005 |
| F6, F10, F14, F17   | Fuse, 10A                                | 03410006 |
| F8, F9  | Fuse, 1A                                 | 03410047 |
| F11   | Fuse, 125A Din 00                        | 03410008 |
| F13   | Earth leakage breaker, 2pol 25A<br>30mA  | 03410088 |
| G   | Generator, 230V f. Hatz                  | 03420106 |
| G1  | Rectifier, 50A                           | 03420005 |
| H1  | Lightdiode, yellow 5mm                   | 03480003 |
| H2, H7  | Lightdiode, green 5mm                    | 03480002 |
| H3  | Lightdiode, red flash w/house            | 03480027 |
| H4  | Lightdiode 24V DC green LSPD-2G<br>BA9s  | 03480402 |
| H5  | Horn, 24V                                | 03080016 |
| H8  | Rotor flash light, 24V                   | 03080013 |
| J5  | Jumper, 3pol                             | 03480046 |
| K, L, U2  | Multi clamp connector, BL 14 12603-<br>6 | 03480019 |
| K1, K10, K10A, K11, K11A, K28, K30,<br>K31                  | Relay, 1-pol 24VDC 16A                   | 03410026 |
| K2  | Relay, min/max voltage 40/58V            | 03410090 |
| K3, K5, K7, K13, K15, K15A, K16, K18,<br>K19, K27, K32, K37 | Relay, 2-pol 24VDC 10A                   | 03410027 |
| K4, K8, K20   | Relay, 4-pol 24VDC 5A                    | 03410065 |
| K14   | Relay, mini 2-pol 48VDC 8A               | 03410077 |
| K23   | Relay, mini 2-pol 230VAC 8A              | 03410066 |
| K26   | Safety device, 10°                       | 03410070 |
| K29   | Relay, mini 1-pol 230VAC 16A             | 03410106 |
| K33   | Relay, 4 pol 12VDC 5A                    | 03410083 |

Dia No :-

Drawn by : MWF

Approved by : CTJ REGSTRUP AUT.

Date : 30-11-05

Revision : 19-11-04

Page : 9 of 12

## PARTSLIST

Machine type : DL30 RBW  
 Machine number : 12766  
 Extra equipment : CE MODEL, DIESEL + GENERATOR, ROTORLIGHT

Denka Lift A/S  
 Højvang 5  
 DK-4300 Holbæk  
 e-mail: info@denka.dk  
 Phone +45 59 45 55 00  
 Telefax. +45 59 44 21 55

| Pos.                   | Description  | Part No  |
|------------------------|--|----------|
| K35                    | Contactora AB 4 KW 4NO                                   | 03410081 |
| K35                    | Auxiliary contact block, 4KW, 4NC                        | 03410082 |
| K36                    | Timerelay D6DQ, 1 pol, 24V + 230V, DIN35                 | 03410252 |
| K39                    | Moment selector  | 03410606 |
| L10, L17, L21, L22     | Coil, CCSO 24D   | 03240005 |
| L11, L12               | Duplomatic prop valve MD1E-S121/51-24                    | 03250106 |
| L13..L16               | Duplomatic prop. valve MD1E-S93/51-24                    | 03250107 |
| L18                    | Coil, LISK 36W 24V                                       | 03240034 |
| M1                     | Motor, 48V BY6-4001                                      | 03300055 |
| M2                     | DC motor compl. 48V Pavalux                              | 03300089 |
| M3, M4                 | Motor, 30-36V DC   | 03360021 |
| P1                     | Power point, single T-model                              | 03420504 |
| P2                     | Programdisk, CS 061, White rotate basket control voltage | 03470070 |
| P3                     | Programdisk, CS 061 A, Black                             | 03470074 |
| P4                     | Programdisk, CS 061 R, Red rotate basket main current    | 03470037 |
| P6                     | Hour counter, Digital 48x24 TY.1 12-24 VDC               | 03400020 |
| Q1, Q2, Q6, Q11, Q12   | Contact block, ZB2-BE102 BR.                             | 03430004 |
| Q3                     | Contact block, 800E-3BX01, BR.                           | 03430114 |
| Q7                     | Transformer, 220/24V 5A                                  | 03420004 |
| Q13, S25               | Double-switch, CSO 71BR, Red                             | 03470066 |
| R1      R2, R3      R4 | Potentiometer, 22/50 2x80#                               | 03470069 |
| R5                     | Potentiometer, 6639 10K# 1W                              | 03470122 |
| R7                     | Potentiometer, 22/40 30#                                 | 03470038 |
| R8                     | Resistor, 270# - 2W/5%                                   | 03480189 |

Dia No :-

Drawn by : MWF

Approved by : CTJ REGSTRUP AUT.

Date : 30-11-05

Revision : 19-11-04

Page : 10 of 12

## PARTSLIST

Machine type :DL30 RBW  
 Machine number : 12766  
 Extra equipment : CE MODEL, DIESEL + GENERATOR, ROTORLIGHT

Denka Lift A/S  
 Højvang 5  
 DK-4300 Holbæk  
 e-mail: info@denka.dk  
 Phone +45 59 45 55 00  
 Telefax. +45 59 44 21 55

| Pos.                                  | Description                               | Part No  |
|---------------------------------------|---|----------|
| R9, R10, R13..R18                     | Resistor, 2,2K# - 2W/5%                   | 03480206 |
| R11, R12                              | Slide resistor, 47#                       | 03480215 |
| R20..R24                              | Resistor, 2W ##                           | 03480199 |
| R25, R26                              | Resistor, 10k# - 0,25W/5%                 | 03480171 |
| R27                                   | Thermistor, PTC 63V In1A Imax2A           | 03480207 |
| S1                                    | Contact block, ZB2-BE201 SL.              | 03430005 |
| S2..S10, S12..S15, S18..S20, S27..S29 | Contact block, ZB2-BE101 SL.              | 03430003 |
| S11                                   | Contact block, 800E-3BX10, SL.            | 03430113 |
| S21..S24                              | Double-switch, CS0 71B, Blue              | 03470072 |
| SA14                                  | Motor control system, SA14 24V            | 03360024 |
| SL                                    | Levelling module SL                       | 03410610 |
| SR1                                   | Hydraulic/EI swivel joint, A564-8         | 03460100 |
| Side 6                                | Circuit board, 15-18/20                   | 03480083 |
| T1                                    | Transformer, 230-260/48V 30A              | 03420097 |
| T7, T14, T18                          | Electronic timemodule, MRMZ0W00 0, 1s-10h | 03410068 |
| U                                     | Circuit board pulsegenerator 18/4         | 03480084 |
| U1, U3, X12                           | Multi clamp connector, BL 15 12604-6      | 03480020 |
| U4, U5                                | Converter 48/24V DC, 12PA                 | 03420099 |
| U6                                    | Multi clamp connector, BL12 12601-6       | 03480025 |
| V                                     | Voltmeter, KM 0-100V                      | 03400021 |
| X1, X9, X15                           | Clamp, AKZ 4mm <sup>2</sup> DIN 15        | 03440014 |
| X2                                    | Clamp PA, 4mm <sup>2</sup> DIN 35         | 03440009 |
| X3                                    | Ground clamp, PA66116                     | 03440044 |
| X4                                    | Wall socket, CEE 16A/lid                  | 03420500 |

Dia No :-

Drawn by : MWF

Approved by : CTJ REGSTRUP AUT.

Date : 30-11-05

Revision : 19-11-04

Page : 11 of 12

## PARTSLIST

Machine type :DL30 RBW  
 Machine number : 12766  
 Extra equipment : CE MODEL, DIESEL + GENERATOR, ROTORLIGHT

Denka Lift A/S  
 Højvang 5  
 DK-4300 Holbæk  
 e-mail: info@denka.dk  
 Phone +45 59 45 55 00  
 Telefax. +45 59 44 21 55

| Pos.       | Description  | Part No  |
|------------|--|----------|
| X6         | Multi clamp connector 45 SMSTB 2, 3/14                       | 03420112 |
| X7         | Multi clamp connector, BL 9                                  | 03480070 |
| X8         | Clamp, PA 16mm <sup>2</sup> DIN 35                           | 03440011 |
| X10        | Multi clamp connector, BL 13 12602-6                         | 03480018 |
| X11        | Multi clamp connector, BL2 12591-6                           | 03480035 |
| X14        | Clamp, 4/35 double   | 03440052 |
| Y1         | Excess voltage protecting devise, 250V                       | 03420009 |
| b1, b3, b5 | Twist knob, ZB2-BD5 3 pos.                                   | 03430012 |
| b7         | Controller 4-way VRZS-254-3 out/in right/left                | 03470002 |
| b8         | Contact compl. f. S&B  | 03470065 |
| b9         | Controller 4-way VRZ-254-6 up/down w/direction switch+r.bask | 03470025 |
| b13, b25   | Key switch, ZB2-BG2 2 pos.                                   | 03430013 |
| b14, b15   | Emergency stop, ZB2-BS844                                    | 03430078 |
| b16        | Twist knob, ZB2-BD3 3 pos.                                   | 03430501 |
| b17        | Emergency stop, 800EP-MTS44                                  | 03430112 |
| b18        | Twist knob, 800ES-SM22, 2 pos.                               | 03430111 |
| b20        | Twist knob, ZB2-BD4 2 pos.                                   | 03430011 |
| b21, b24   | Twist knob, ZB2-BD2 2 pos.                                   | 03430010 |
| b22        | Main switch, f. motor  | 03410043 |
| b23        | Push button, ZB2-BP2 Black                                   | 03430500 |
| b25        | Push button, ZB2-BP3 Green                                   | 03430502 |
| b27        | Push button, ZB2-BP4 Reed                                    | 03430503 |
| e1, e2     | Thermo switch-off, 63C                                       | 03420011 |
|            |  |          |