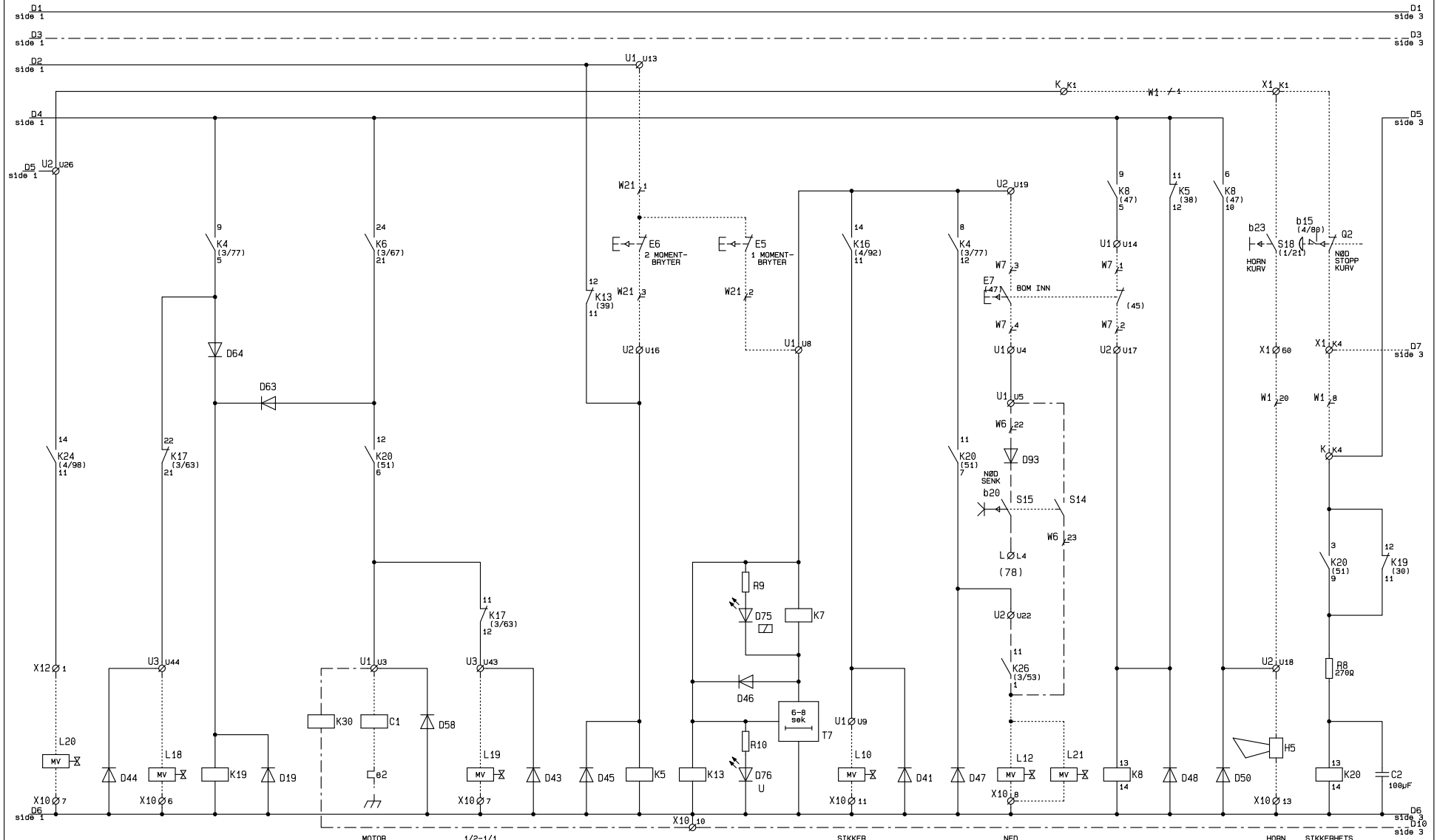
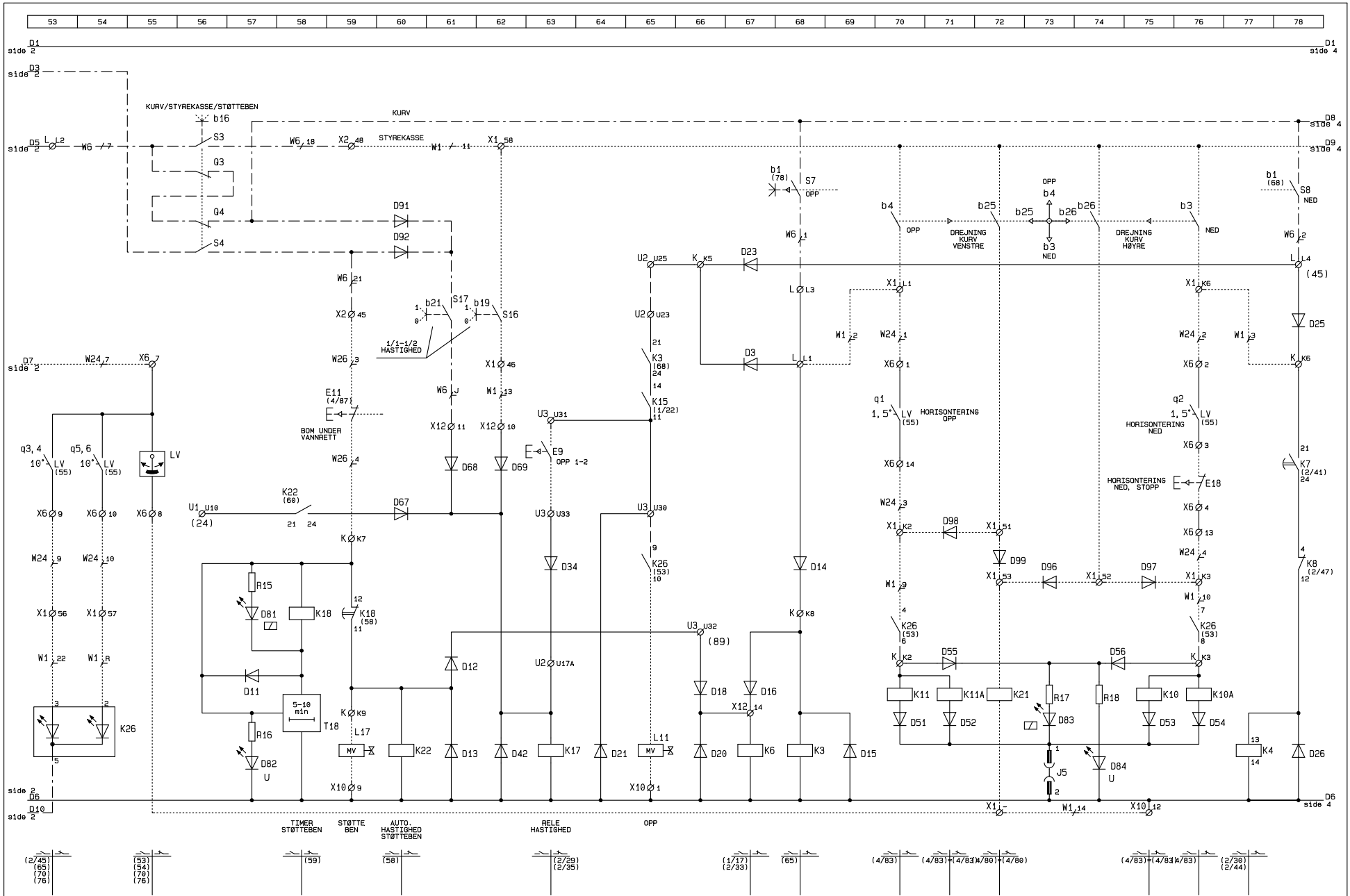


| | | | | |
|---|--|----------------|--------------------------------|------------------------|
| DENKA LIFT Højvang 5 4300 Holbæk Phone 53 43 47 48 | Lift type : DK7MK21/22 RBW NORSK | No : 10055 | Hydraulics : Atos On/Off Ver.2 | Dia. No. : |
| | Extra equipment: CE MODEL, PRIORITERING 24/230V, 3-ARBEJDSHØJDER | Drawn by : PAJ | Approved by : JJ REGSTRUP INST | Date : 19-02-97 Rev. : |
| | | | Title : Nøgleskema | |
| | | | Page : 1 of 7 | |



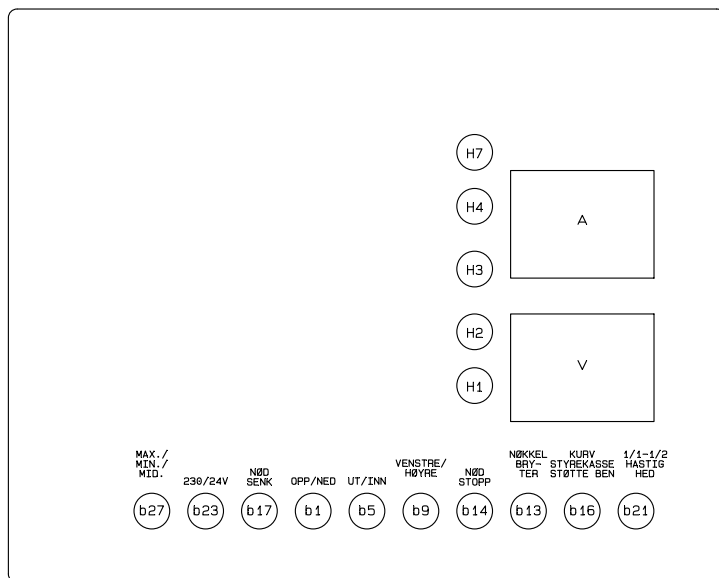
| | | | | | | | |
|-------------------|--------------------------|-------|--|------------------------------|-----|------|--------------------|
| VENSTRE/ HØYRE | 1/2-1/1 HASTIGHED NED | MOTOR | 1/2-1/1 HASTIGHED OPP U1, INN, VENSTRE, HØYRE | SIKKER HETSVENTIL UT 2 | NED | HORN | SIKKERHETS RELE |
|-------------------|--------------------------|-------|--|------------------------------|-----|------|--------------------|

| | | | | |
|---|--|-----------------|---------------------------------|--------------------|
| DENKA LIFT | Lift type : DK7MK21/22 RBW NORSK | No : 10055 | Hydraulics : Atos On/Off Ver.2 | Dia. No. : |
| Højvang 5 4300 Holbæk Phone 53 43 47 48 | Extra equipment: CE MODEL, PRIORITERING 24/230V, 3-ARBEJDSHØJDER | Drawn by : PAJ | Approved by : JJ REGISTRUP INST | Title : Nøgleskema |
| | | Date : 19-02-97 | Rev. : | Page : 2 of 7 |

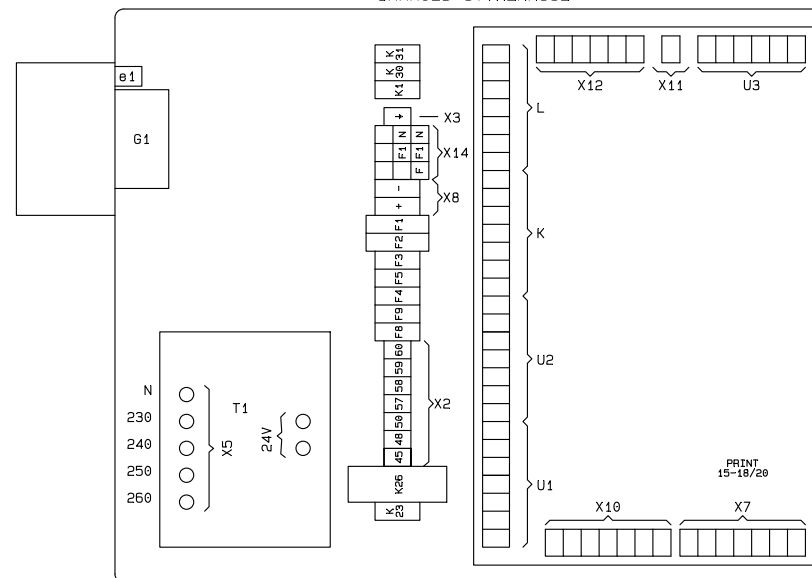


| | | | | |
|--|--|----------------|--------------------------------|------------------------|
| DENKA LIFT Højvang 5 4300 Holbæk Phone 53 43 47 48 | Lift type : DK7MK21/22 RBW NORSK | No : 10055 | Hydraulics : Atos On/Off Ver.2 | Dia. No. : |
| | Extra equipment: CE MODEL, PRIORITERING 24/230V, 3-ARBEJDSHØJDER | Drawn by : PAJ | Approved by : JJ REGSTRUP INST | Date : 19-02-97 Rev. : |
| | | | | Page : 3 of 7 |

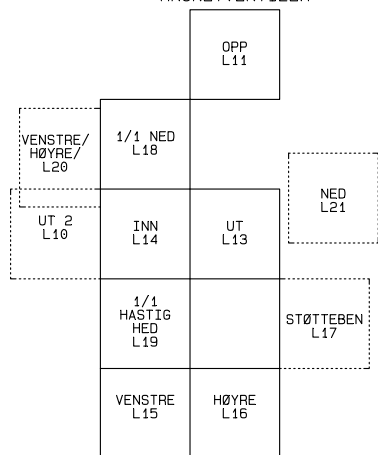
LOCK STYREKASSE



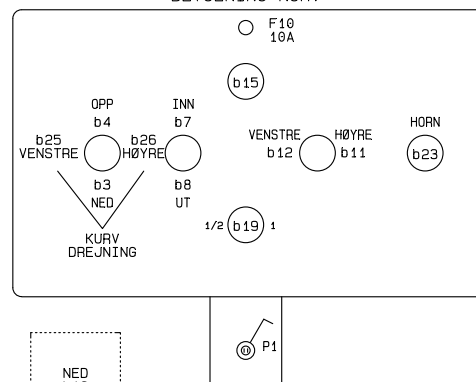
INNHOLD STYREKASSE



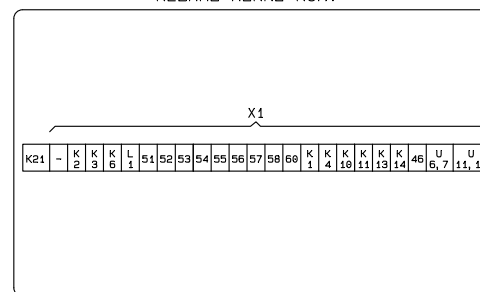
MAGNETVENTILER



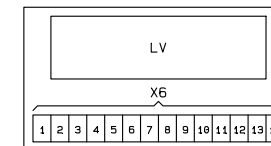
BETJENING KURV



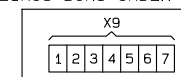
KLEMME REKKE KURV



KOBLINGS BOKS PÅ KURV



KOBLINGS BOKS UNDER CHASSIS



230V TILSLUTNING PÅ CHASSIS



PRINT

STYREKASSE

UT STYREKASSE

DENKA LIFT

Lift type : DK7MK21/22 RBW NORSK

No : 10055

Hydraulics : Atos On/Off Ver.2

Dia. No. :

Extra equipment: CE MODEL, PRIORITERING 24/230V, 3-ARBEJDSHØJDER

Title : Placeringsdiagram

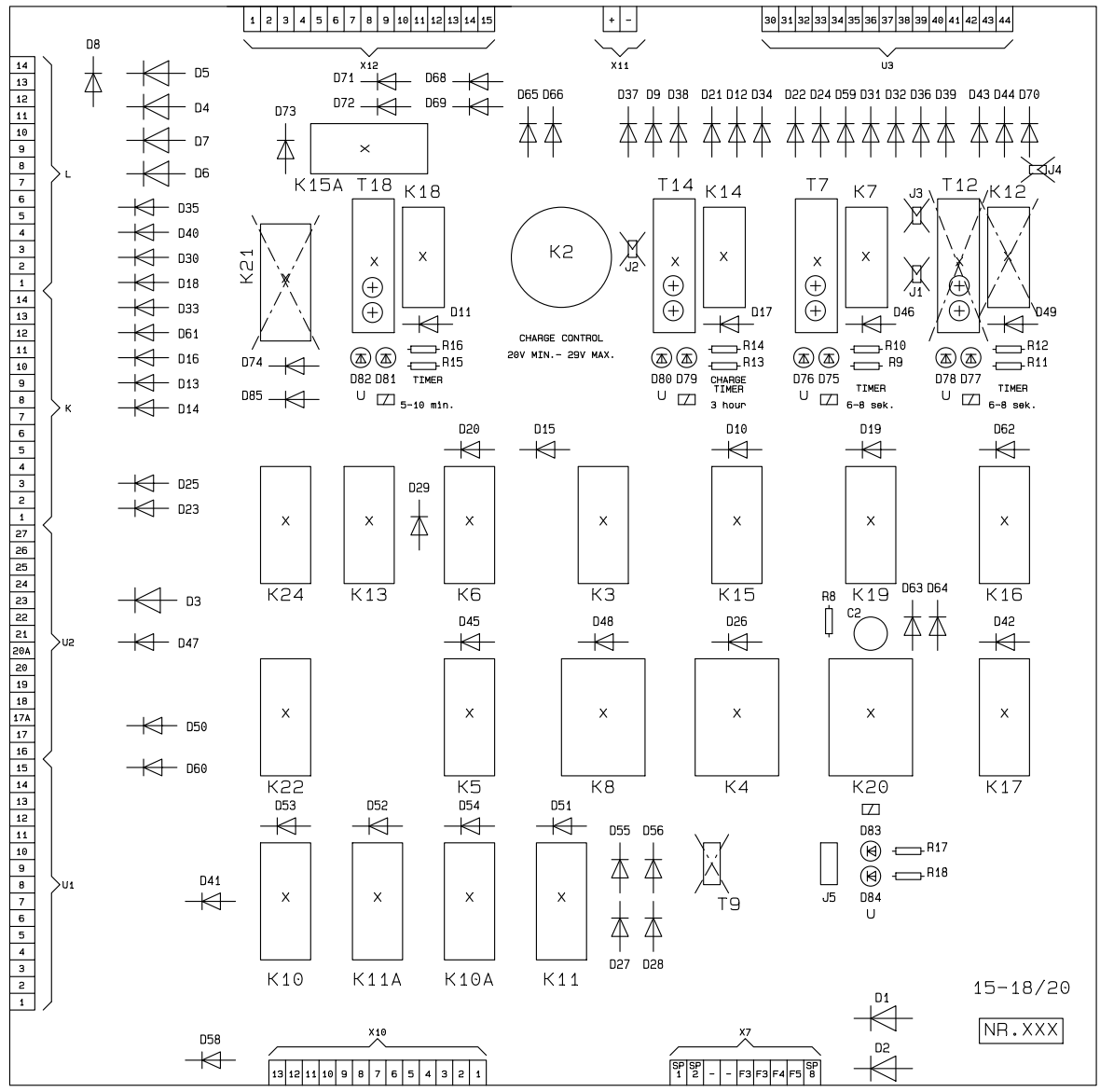
Højvang 5 4300 Holbæk Phone 53 43 47 48

Drawn by : PAJ

Approved by : JJ REGSTRUP INST

Date : 19-02-97 Rev. :

Page : 5 of 7



⊗ = FRI SOKKEL

15-18/20
NR. XXX

- 1 FREMLYS
- 2 SIDELYS
- 3 HØYRE/VENSTRE BLINK
- 4 HØYRE/VENSTRE BAKLYS
- 5 STOPP
- 6 SKILTLYS
- 7 TÅGEBAGLYS
- LEDNINGNUMMERE

