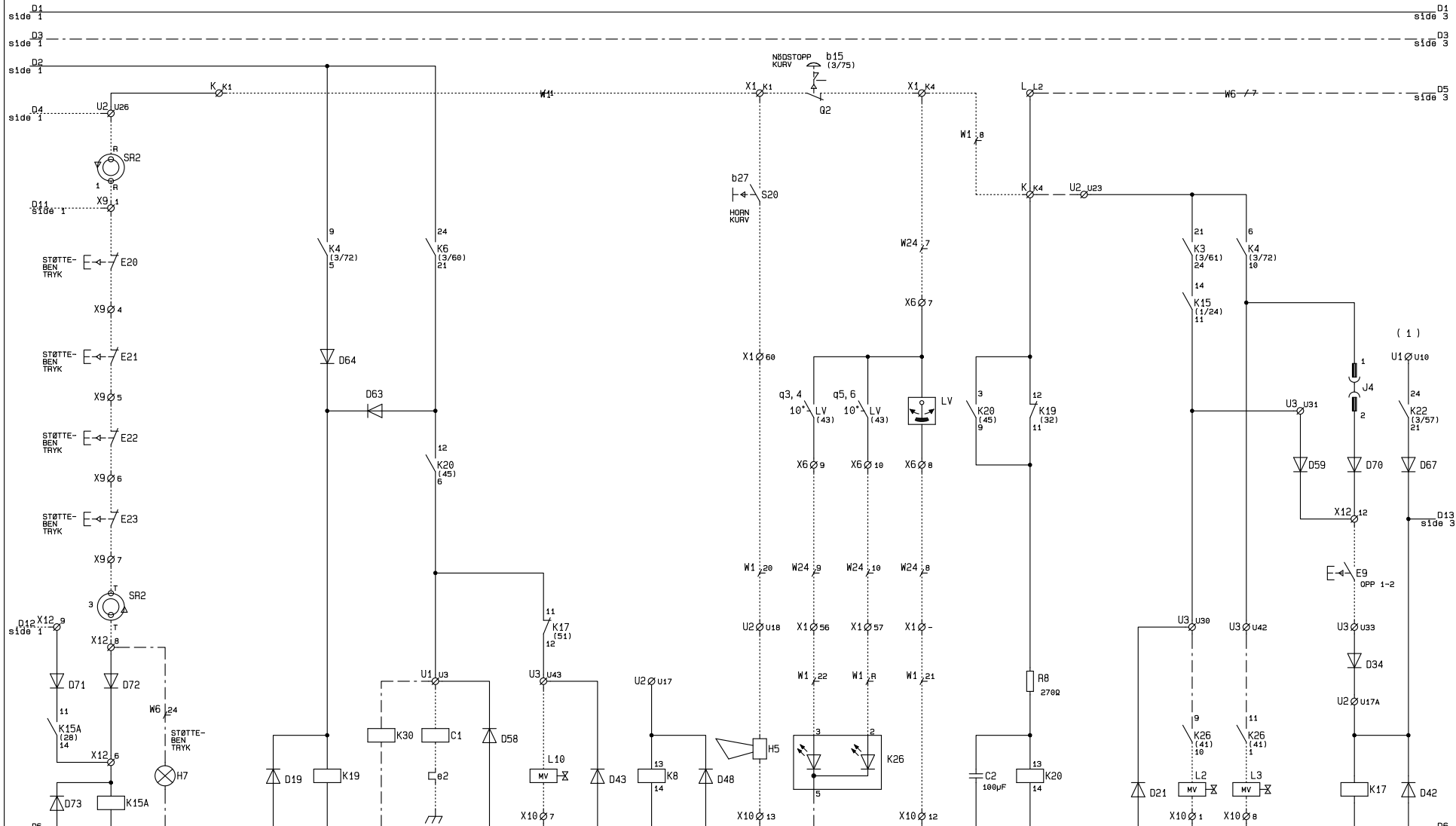
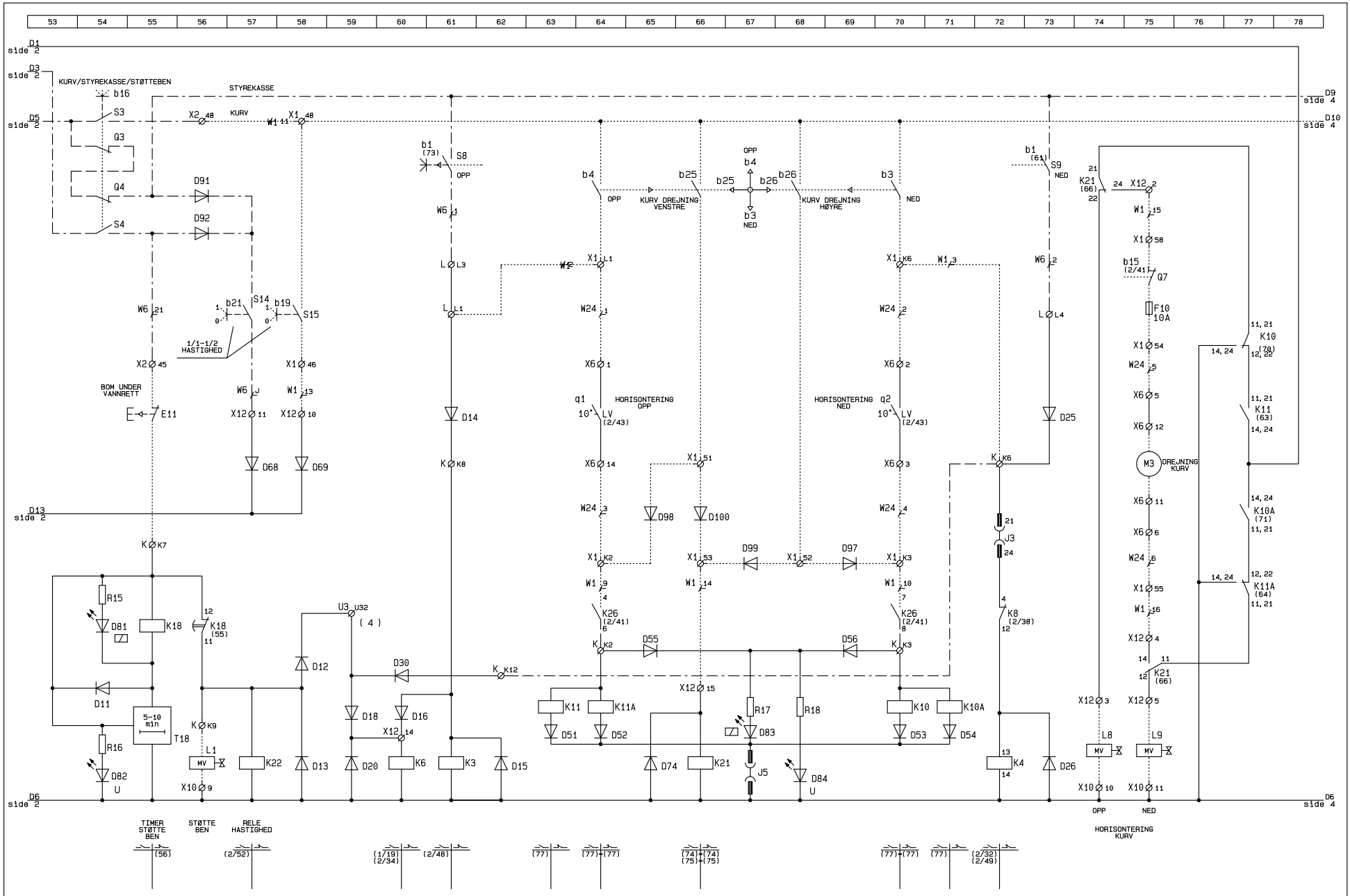


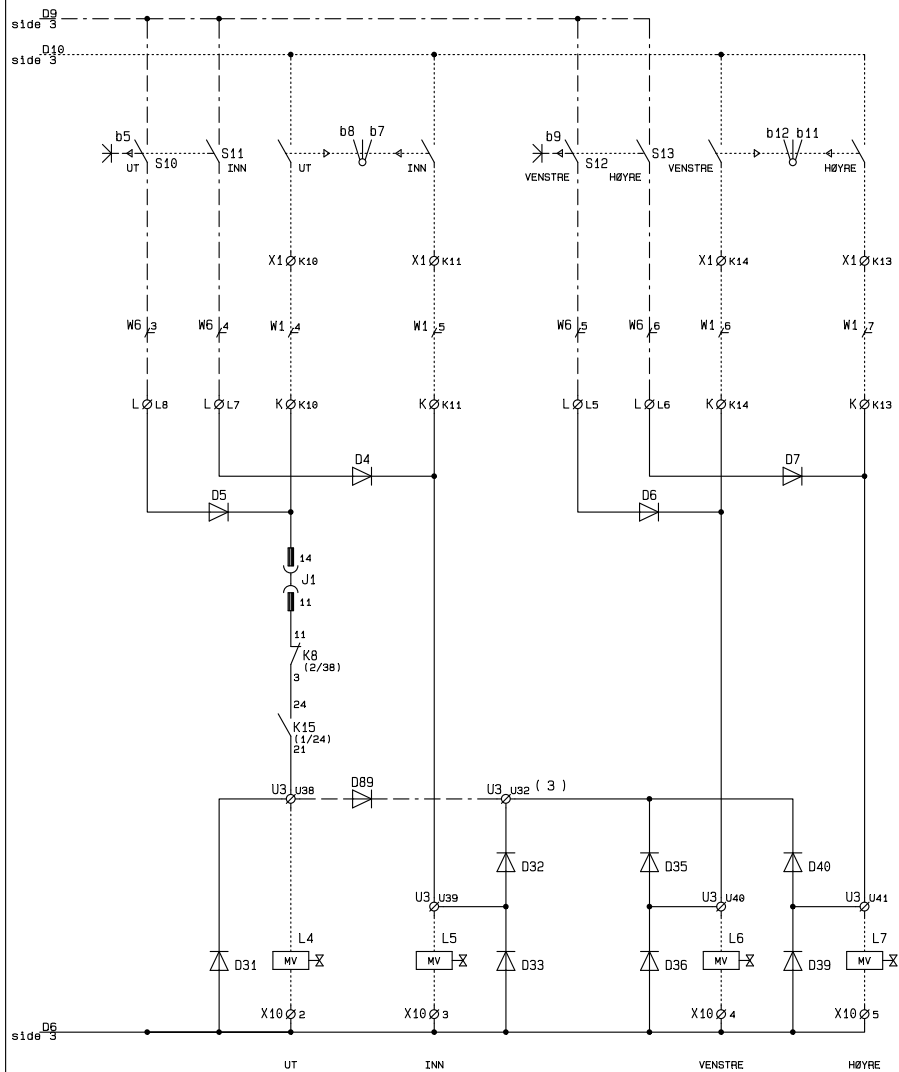
<h1>DENKA LIFT</h1>	Lift type : DK7JR12 RB NORSK	No : 10167	Hydraulics : Atos On/off	Dia. No. :
	Extra equipment: CE MODEL, 24/230V PRIORITERING			Title : Nøgleskema
Højvang 5 4300 Holbæk Phone 53 43 47 48	Drawn by : PAJ	Approved by : JJ REGSTRUP INST	Date : 30-05-97 Rev. :	Page : 1 of 7



(1/24) (27)	(45) (1/77)	(1/12)	(48) (49) (3/64) (3/72)	(41) (42) (3/64) (3/72)	(34) (44)	(96)
----------------	-------------	--------	----------------------------------	----------------------------------	--------------	------



<h1>DENKA LIFT</h1>	Lift type : DK7JR12 RB NORSK	No : 10167	Hydraulics : Atos On/off	Dia. No. :
	Extra equipment: CE MODEL, 24/230V PRIORITERING	Drawn by : PAJ	Approved by : JJ REGSTRUP INST	Date : 30-05-97 Rev. :
Højvang 5 4300 Holbæk Phone 53 43 47 48				Title : Nøgleskema
				Page : 3 of 7



DENKA LIFT

Lift type : DK7JR12 RB NORSK

No : 10167

Hydraulics : Atos On/off

Dia. No. :

Extra equipment: CE MODEL, 24/230V PRIORITERING

Title : Nøgleskema

Højvang 5 4300 Holbæk Phone 53 43 47 48

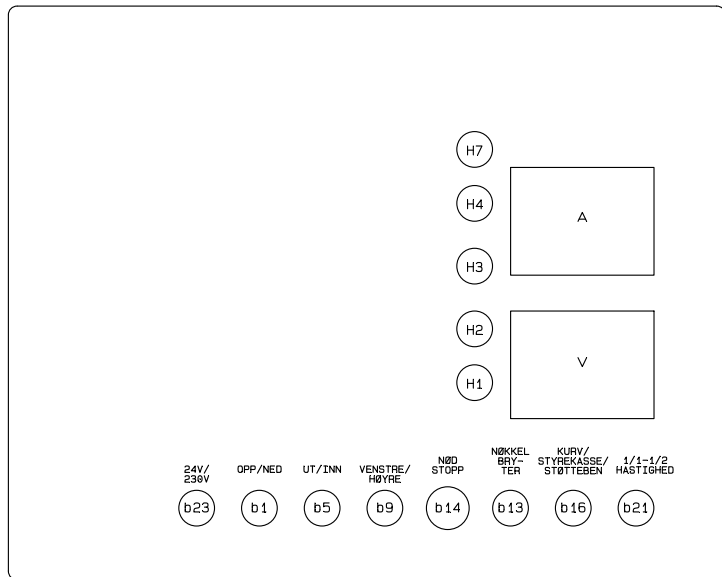
Drawn by : PAJ

Approved by : JJ REGSTRUP INST

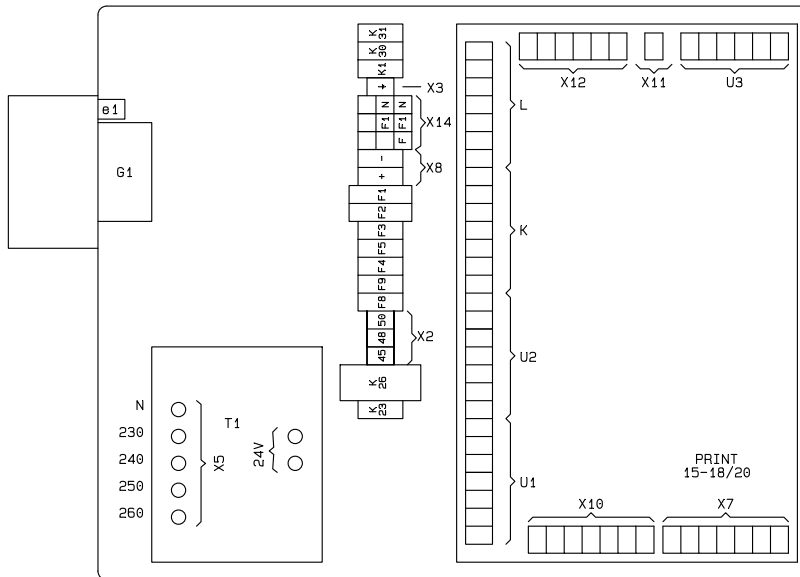
Date : 30-05-97 Rev. :

Page : 4 of 7

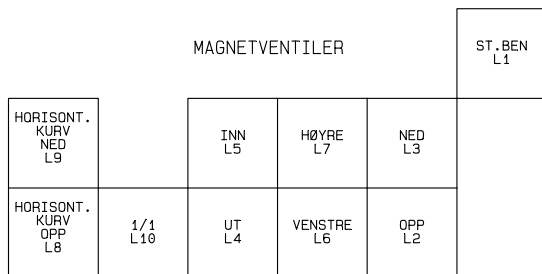
LOKK STYREKASSE



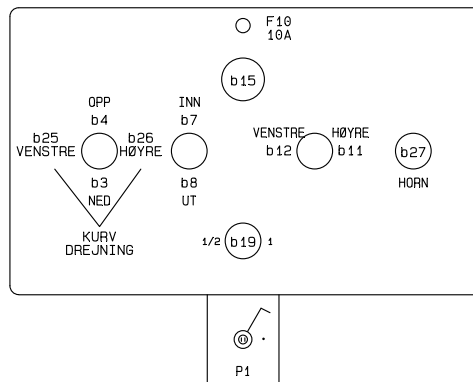
INNHOOLD STYREKASSE



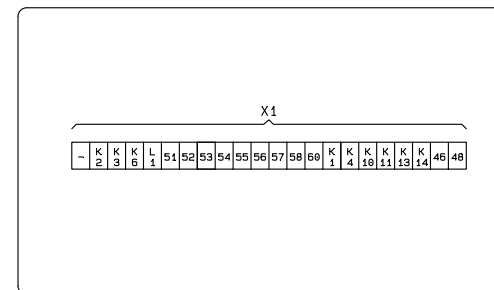
MAGNETVENTILER



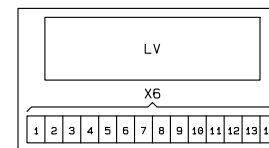
BETJENING KURV



KLEMME REKKE KURV



KOBLINGS BOKS PÅ KURV

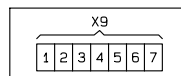


—— PRINT
 - - - - - STYREKASSE
 UT STYREKASSE

230V TILSLUTNING PÅ CHASSIS



KOBLINGS BOKS UNDER CHASSIS



DENKA LIFT

Lift type : DK7JR12 RB NORSK

No : 10167

Hydraulics : Atos On/off

Dia. No. :

Extra equipment: CE MODEL, 24/230V PRIORITERING

Title : Placeringsdiagram

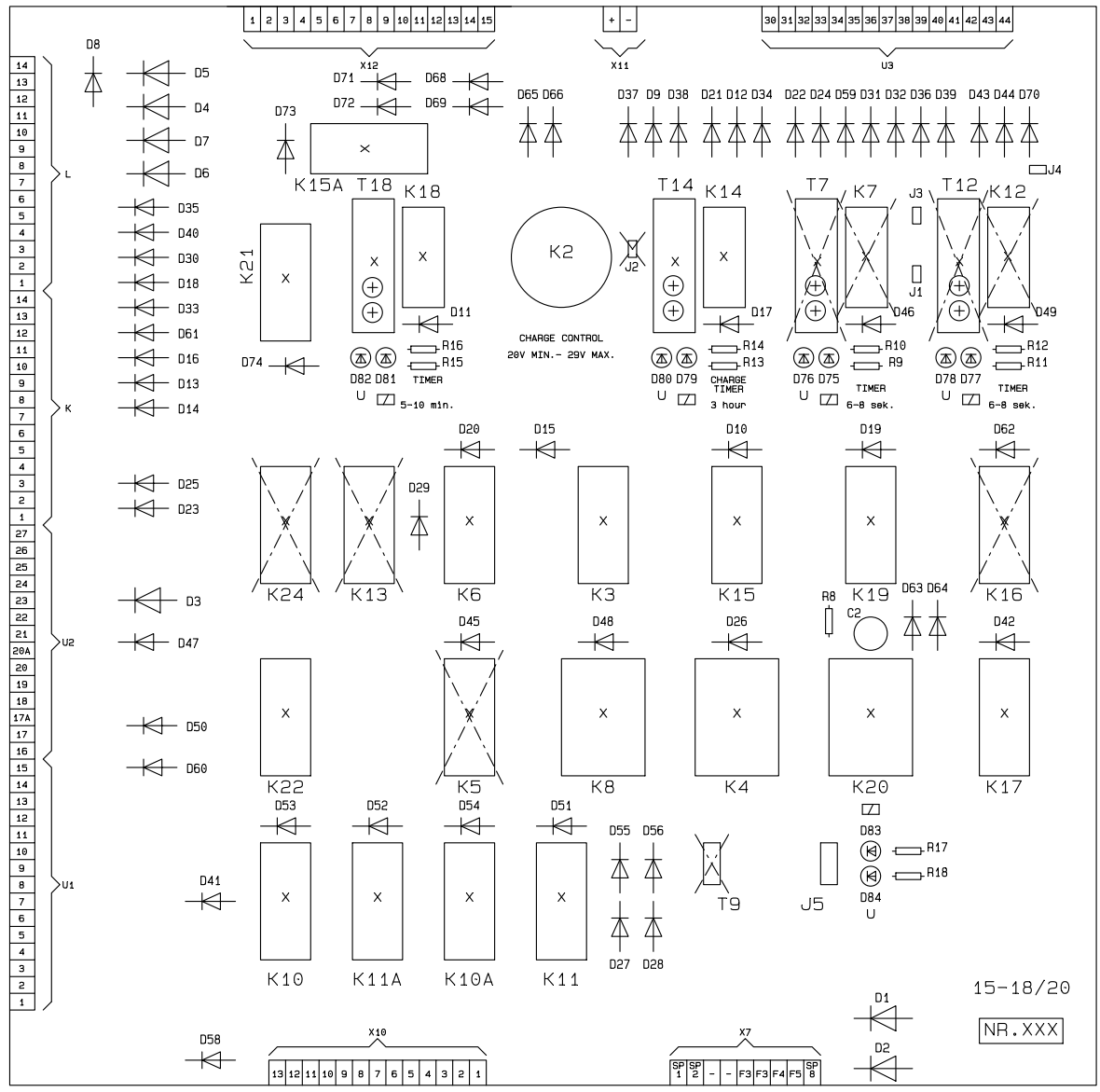
Højvang 5 4300 Holbæk Phone 53 43 47 48

Drawn by : PAJ

Approved by : JJ REGSTRUP INST

Date : 30-05-97 Rev. :

Page : 5 of 7



⊗ = FRI SOKKEL

15-18/20
NR. XXX

DENKA LIFT Højvang 5 4300 Holbæk Phone 53 43 47 48	Lift type : DK7JR12 RB NORSK	No : 10167	Hydraulics : Atos On/off	Dia. No. :
	Extra equipment: CE MODEL, 24/230V PRIORITERING	Drawn by : PAJ	Approved by : JJ REGSTRUP INST	Title : Print
		Date : 30-05-97 Rev. :		Page : 6 of 7

- 1 FREMLYS
- 2 SIDELYS
- 3 HØYRE/VENSTRE BLINK
- 4 HØYRE/VENSTRE BAKLYS
- 5 STOPP
- 6 SKILTLYS
- 7 TÅGEBAGLYS
- LEDNINGNUMMERE

